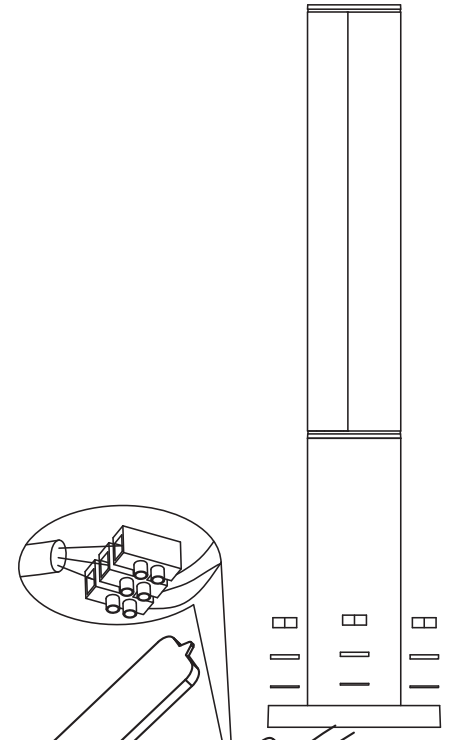
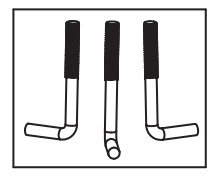
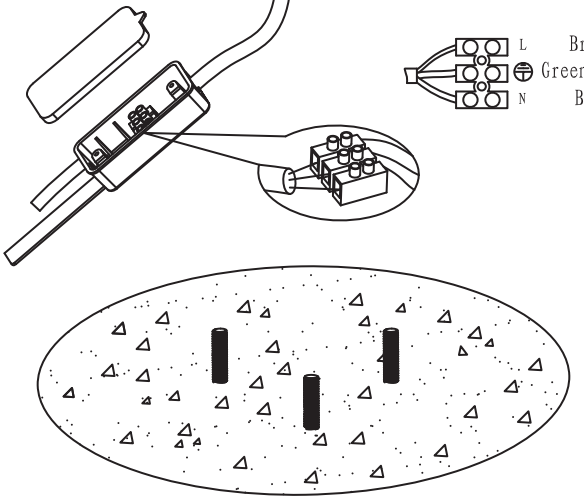
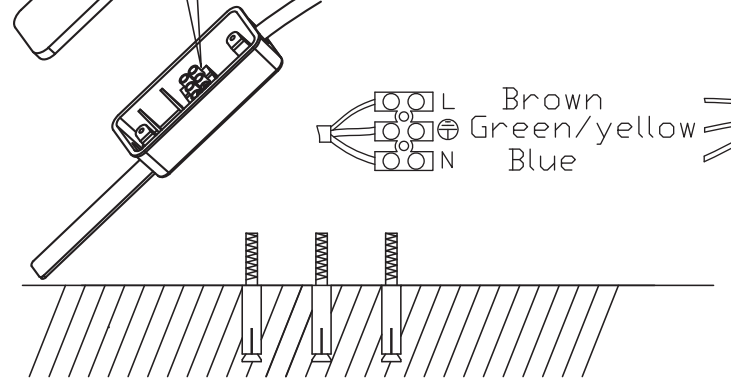


Ref. 75524 H.1800
SMD LED 16W 4000K 625Lm



Ref. 75522 H.500
Ref. 75523 H.900
SMD LED 8W 4000K 350Lm



TECHNICAL FEATURES - CARACTERISTICAS TÉCNICAS

	IP54	220V-240V ~50Hz/60Hz	DRIVER BUILT-IN
--	-------------	-------------------------	----------------------------

