



Safety Instructions



0,1,4,6,7,8,9,11,15,
20,22,26,27



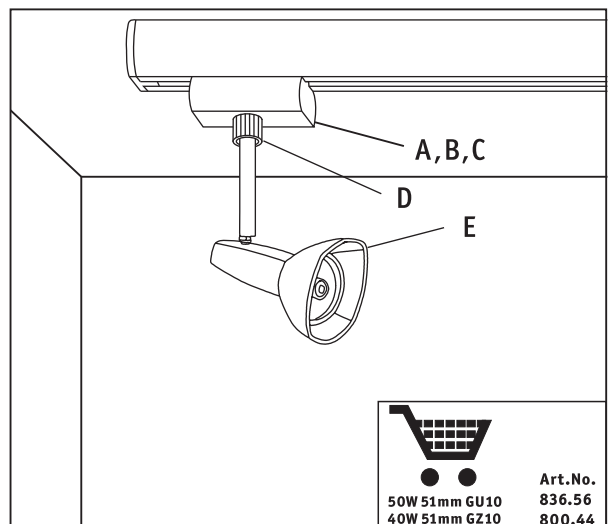
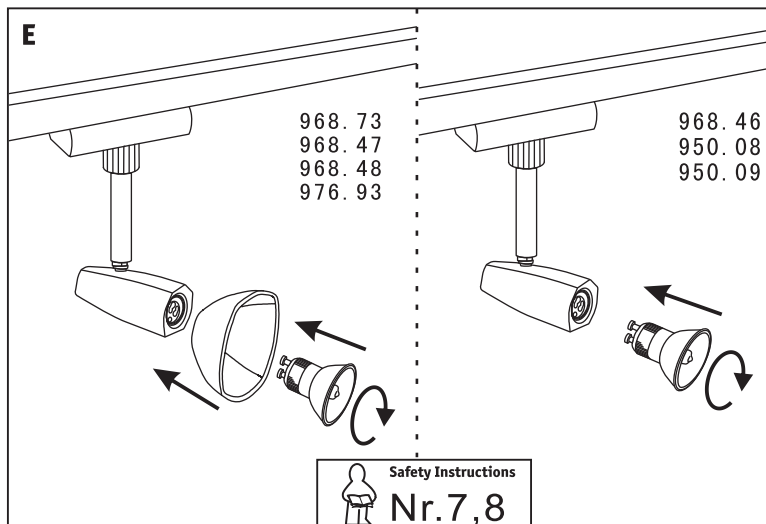
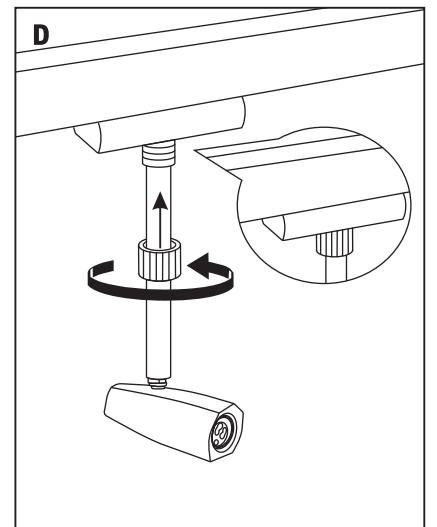
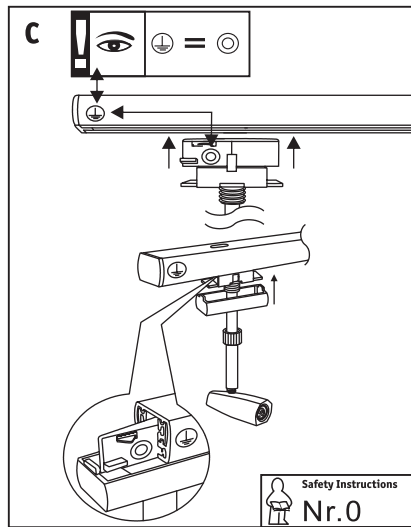
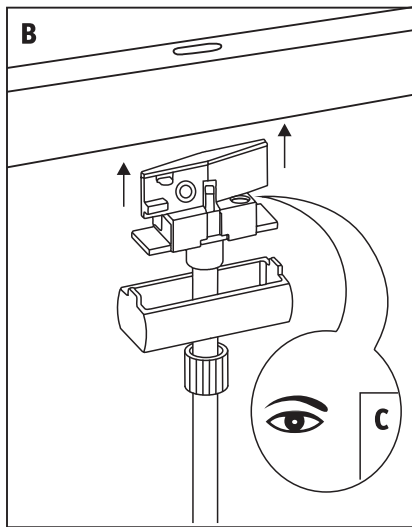
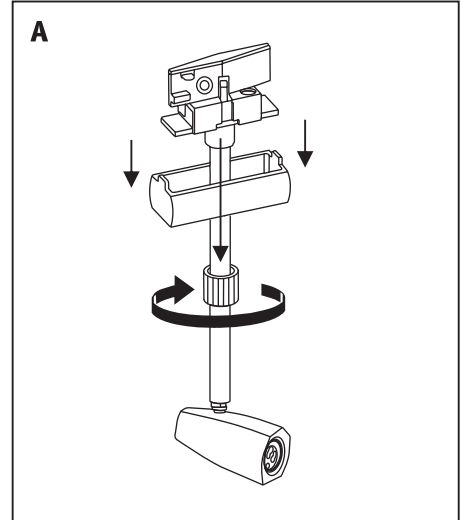
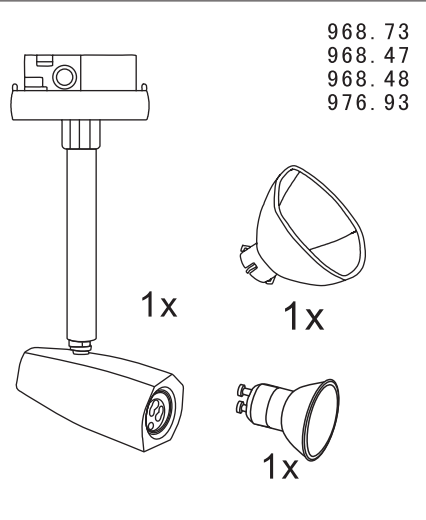
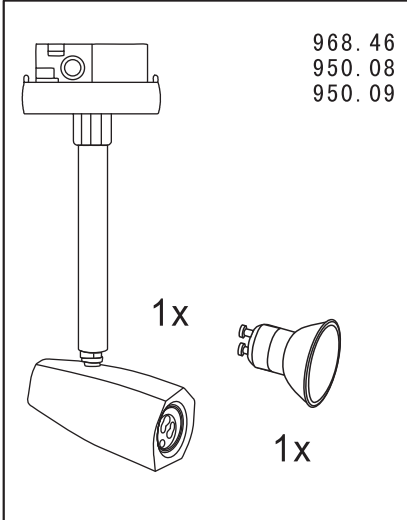
+49 (0) 5041 998 389

Mon. - Do. 7⁰⁰ - 20⁰⁰

Fr. 7⁰⁰ - 17⁰⁰

Paulmann Licht GmbH
31832 Springe / Germany
www.paulmann.com

Art.-Nr.:
950.08
950.09
968.46
968.73
968.47
976.93
968.48
(+MA 173)
PBO 05/11



Art.No.
50W 51mm GU10 836.56
40W 51mm GZ10 800.44