



Safety Instructions



0, 1, 2, 3, 4, 6, 7, 8, 9, 10, 11, 15, 18, 20, 22, 25, 26, 27



Info Hotline

+49 (0) 5041 998 389

Mon. - Do. 7⁰⁰ - 20⁰⁰

Fr. 7⁰⁰ - 17⁰⁰

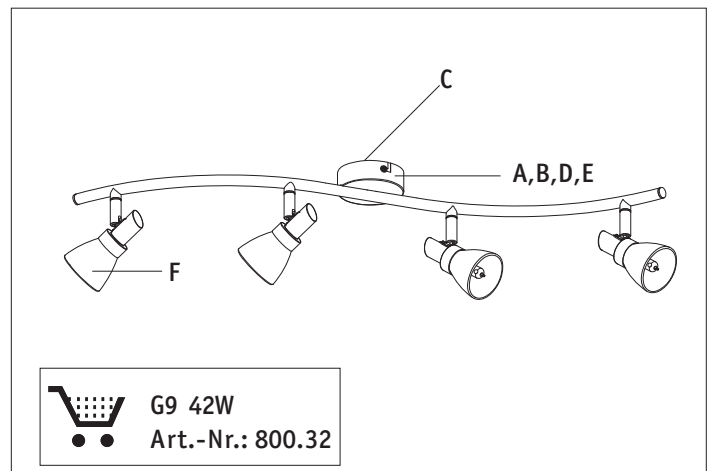
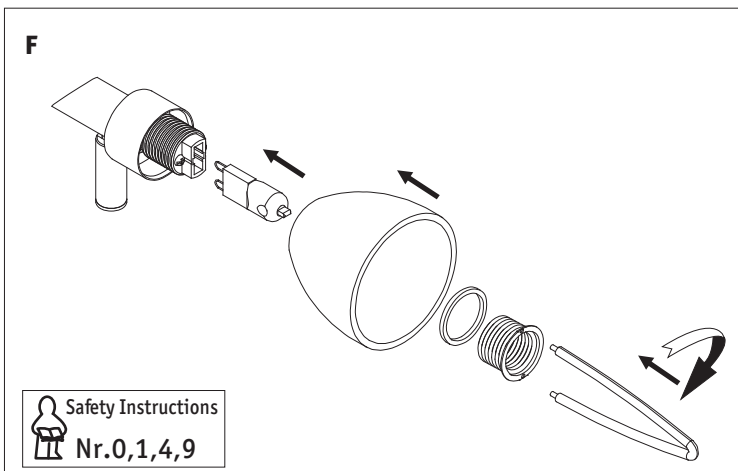
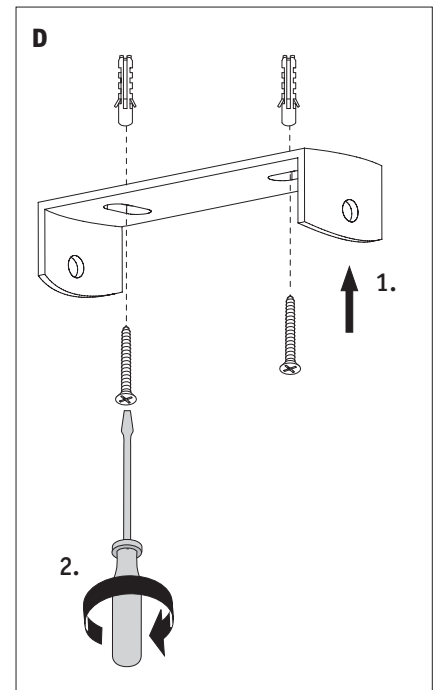
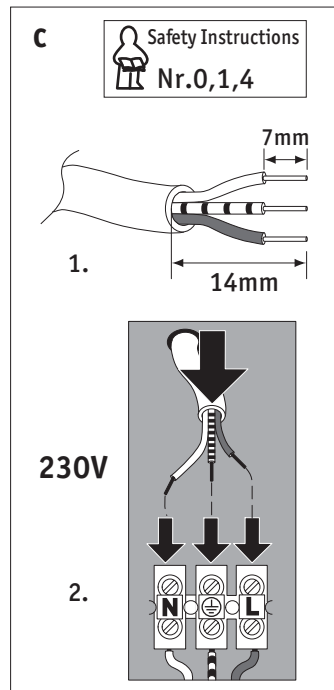
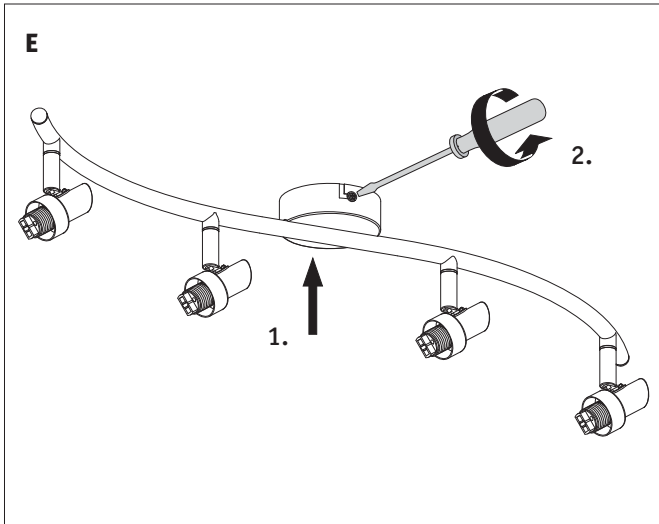
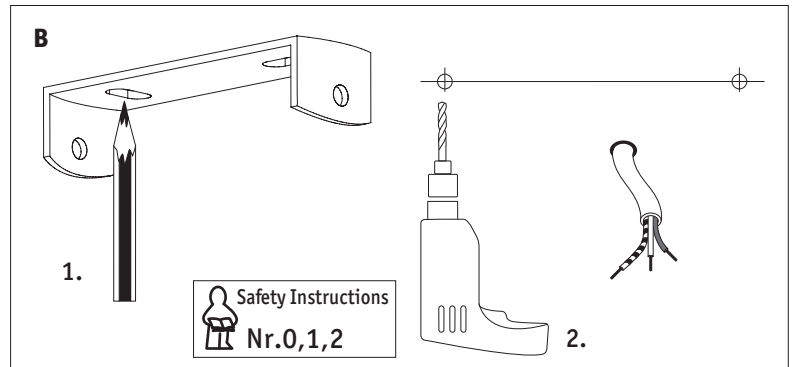
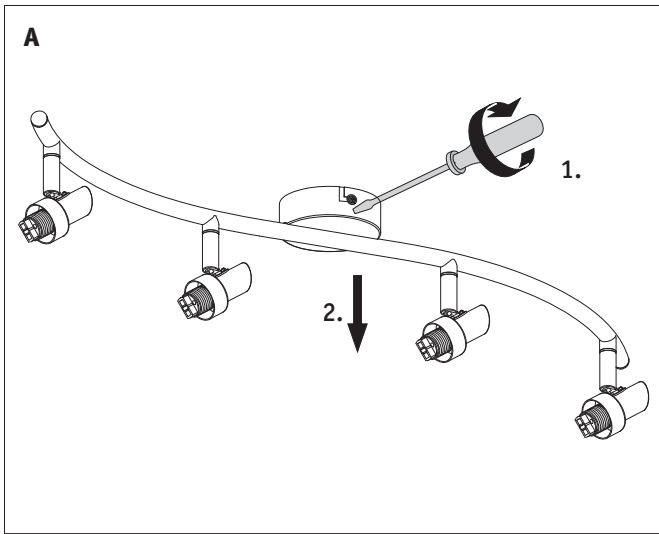
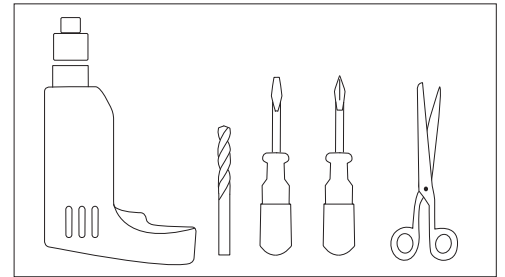
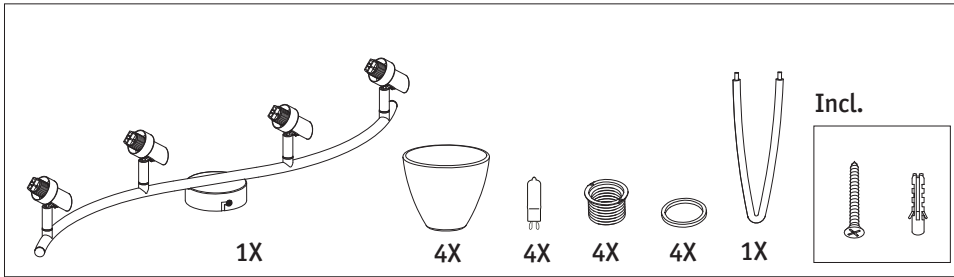


Paulmann Licht GmbH
31832 Springe / Germany
www.paulmann.com

Art.-Nr.:
60177

(+MA 173)

PEA 05/12



G9 42W
Art.-Nr.: 800.32

Safety Instructions
Nr. 0, 1, 4, 9