



Safety Instructions



0, 1, 2, 3, 4, 6, 7, 8, 9, 11,
15, 18, 20, 22, 25, 26, 27



+49 (0) 5041 998 389

Mon. - Do. 7⁰⁰ - 20⁰⁰

Fr. 7⁰⁰ - 17⁰⁰

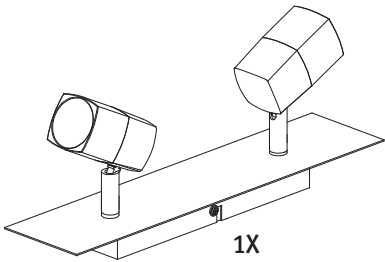


Paulmann Licht GmbH
31832 Springe / Germany
www.paulmann.com

Art.-Nr.:
66030

(+MA 173)

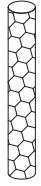
PEA 06/09



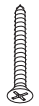
1X



2X



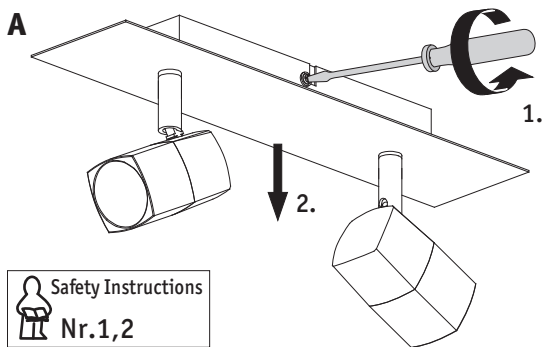
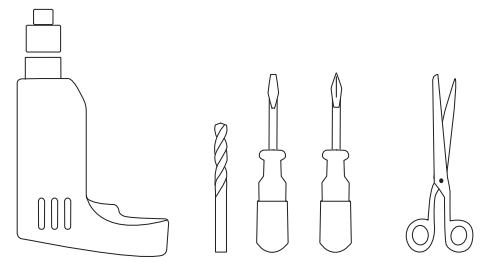
2X



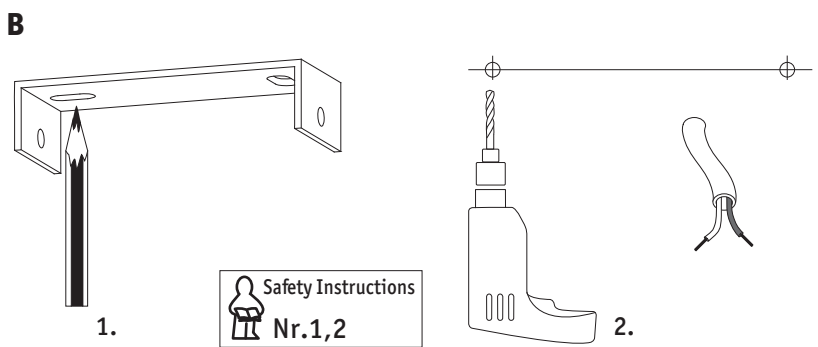
2X



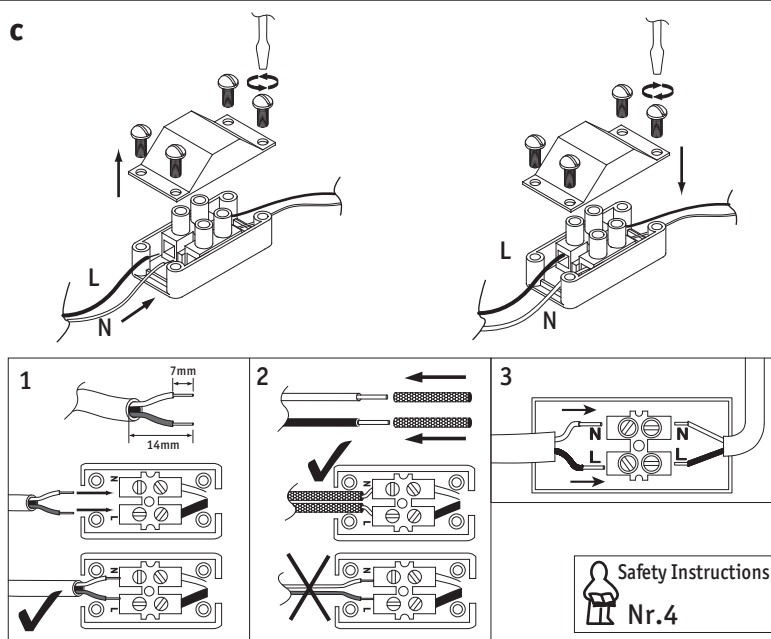
2X



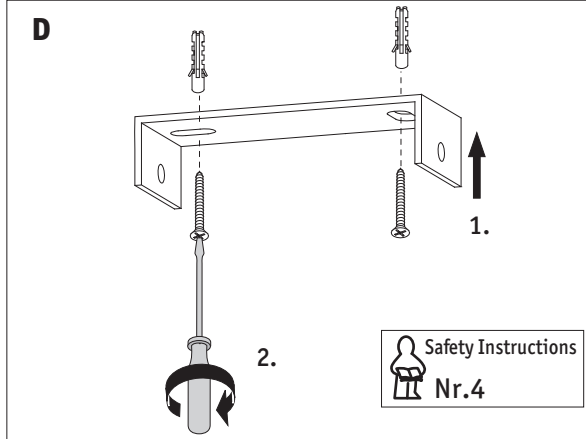
Safety Instructions
Nr.1,2



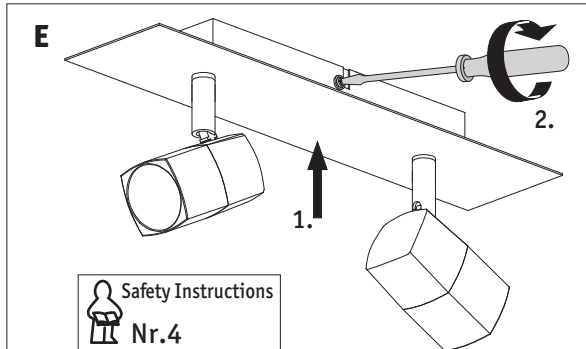
Safety Instructions
Nr.1,2



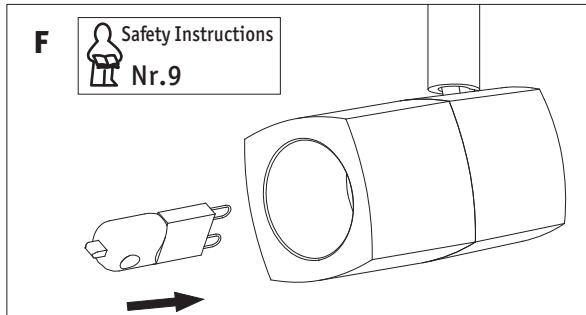
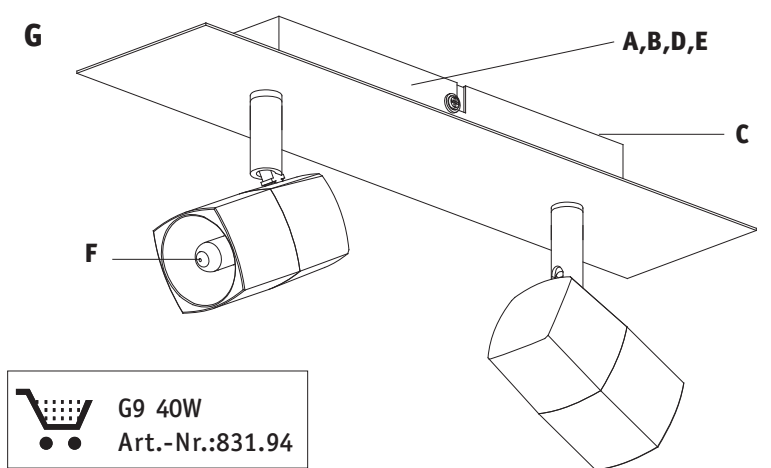
Safety Instructions
Nr.4



Safety Instructions
Nr.4



Safety Instructions
Nr.4



Safety Instructions
Nr.9

G9 40W
Art.-Nr.:831.94