



# Safety Instructions



0, 1, 2, 3, 4, 6, 7, 8, 9, 11, 15, 20, 22, 25, 26, 27



+49 (0) 5041 998 389

Mon. - Do. 7<sup>00</sup> - 20<sup>00</sup>

Fr. 7<sup>00</sup> - 17<sup>00</sup>

Paulmann Licht GmbH  
31832 Springe / Germany  
www.paulmann.com

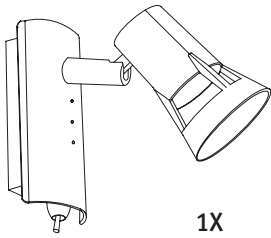
Art.-Nr.:

66307

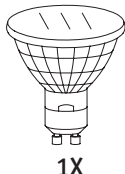
66308

(+MA 173)

PEA 06/09



1X



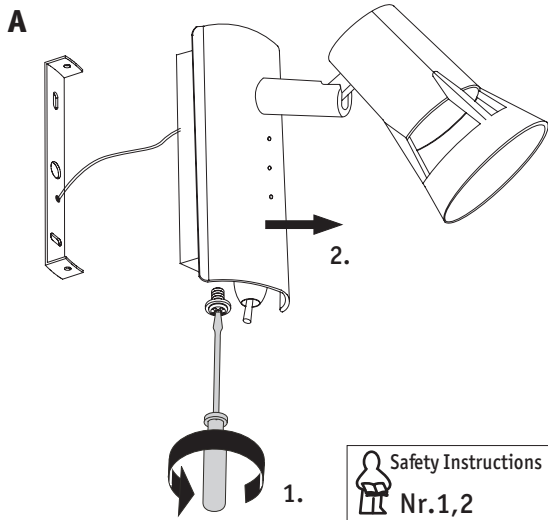
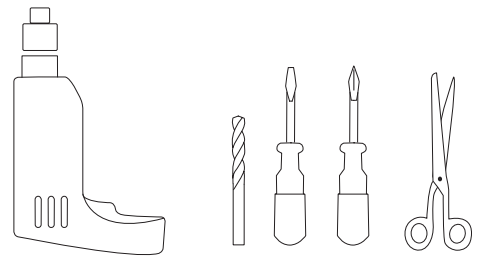
1X



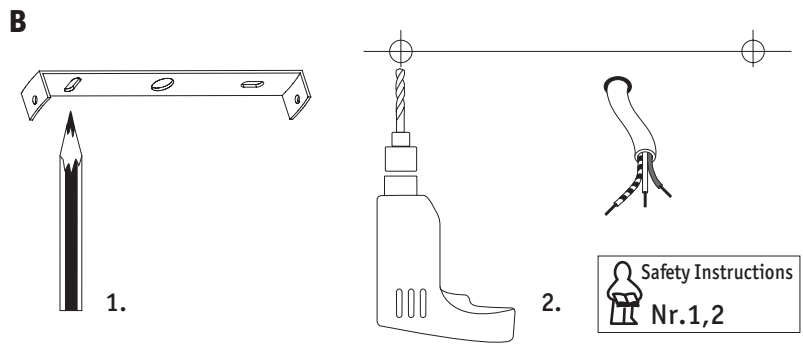
2X



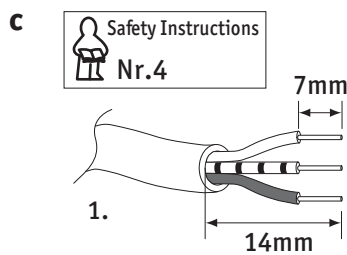
2X



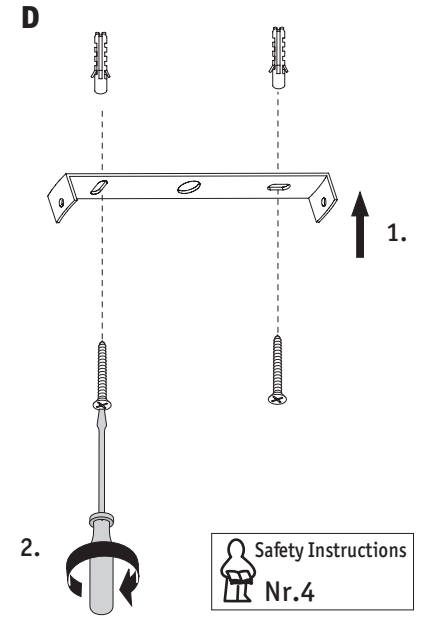
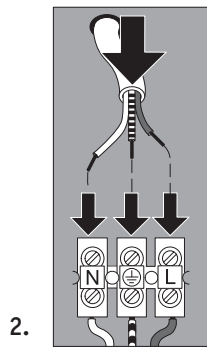
Safety Instructions  
Nr.1,2



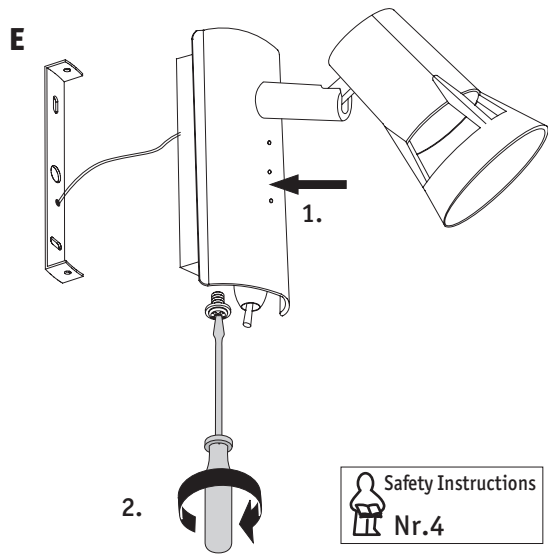
Safety Instructions  
Nr.1,2



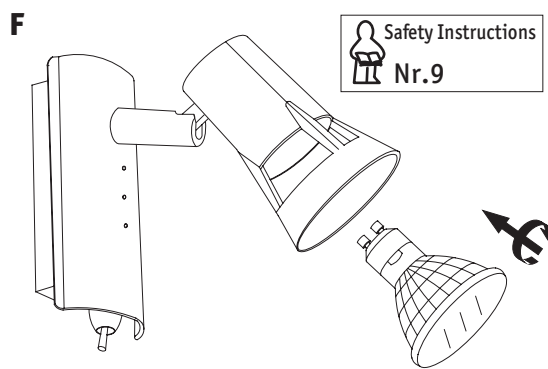
Safety Instructions  
Nr.4



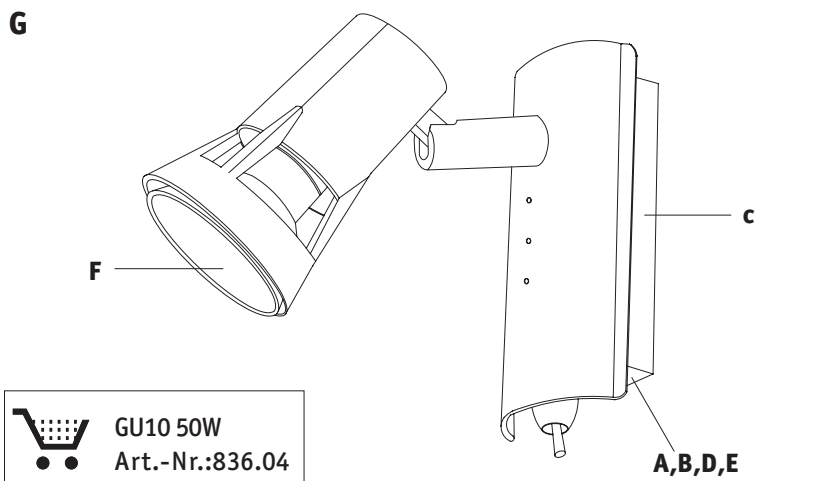
Safety Instructions  
Nr.4



Safety Instructions  
Nr.4



Safety Instructions  
Nr.9



GU10 50W  
Art.-Nr.:836.04

A,B,D,E