



Safety Instructions



0, 1, 2, 3, 4, 6, 7, 8, 9, 11, 15, 20, 22, 25, 26, 27



+49 (0) 5041 998 389

Mon. - Do. 7⁰⁰ - 20⁰⁰

Fr. 7⁰⁰ - 17⁰⁰



Paulmann Licht GmbH
31832 Springe / Germany
www.paulmann.com

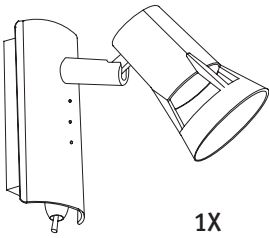
Art.-Nr.:

66307

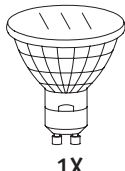
66308

(+MA 173)

PEA 06/09



1X



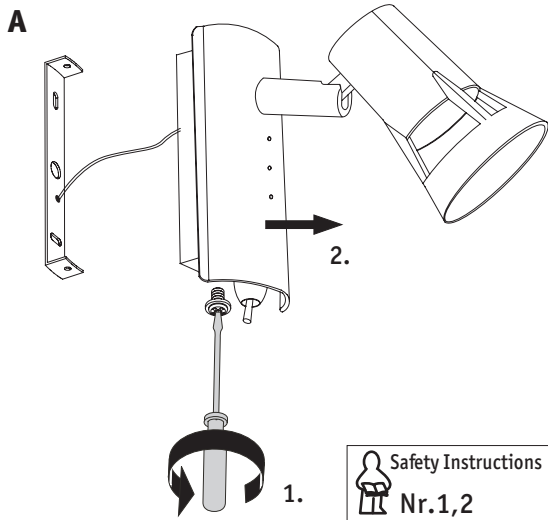
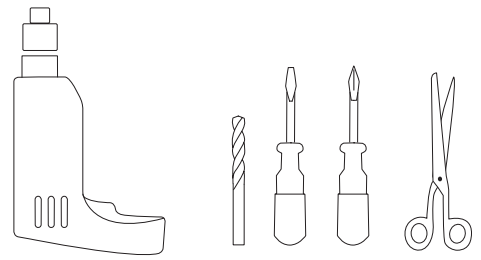
1X



2X

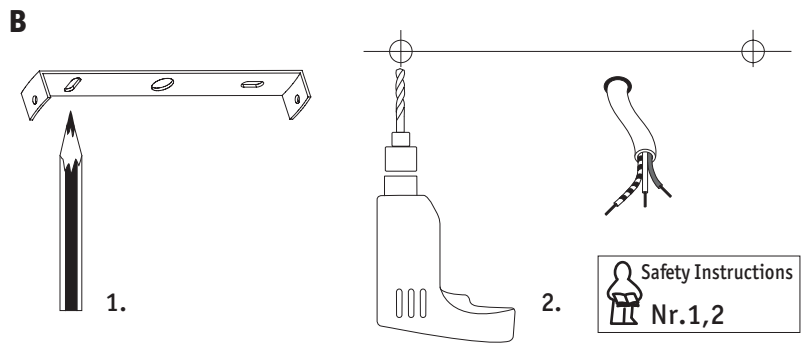


2X



1.

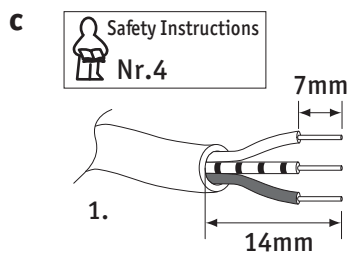
Safety Instructions
Nr.1,2



1.

2.

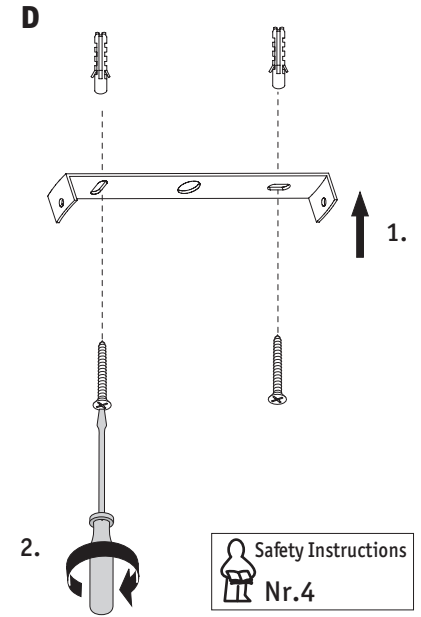
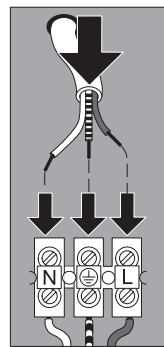
Safety Instructions
Nr.1,2



1.

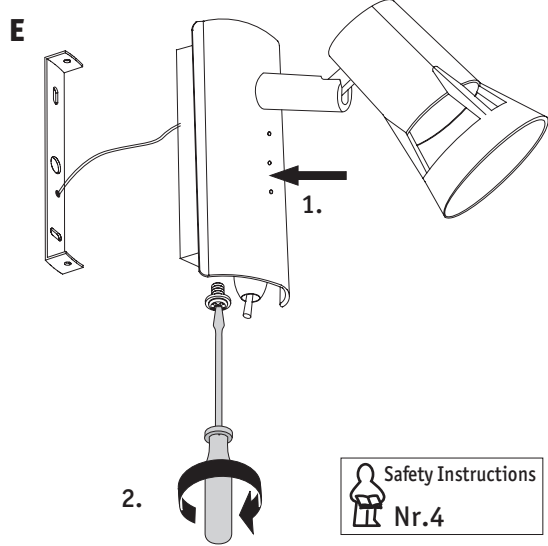
Safety Instructions
Nr.4

2.



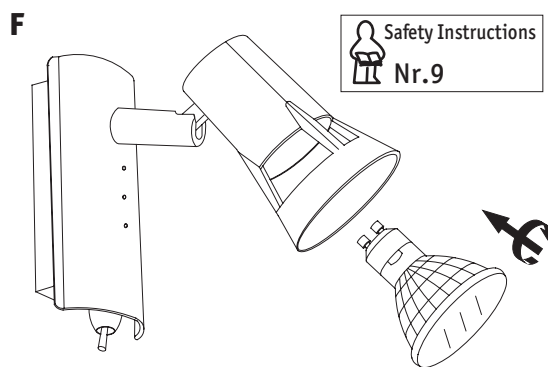
2.

Safety Instructions
Nr.4

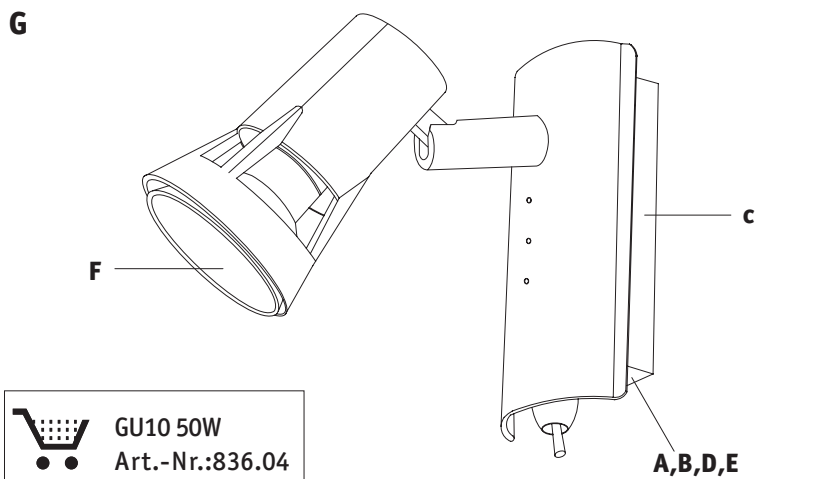


2.

Safety Instructions
Nr.4



Safety Instructions
Nr.9



GU10 50W
Art.-Nr.:836.04

A,B,D,E