



Safety Instructions



0, 1, 2, 4, 6, 7, 8, 9, 11, 15, 22, 25, 27



+49 (0) 5041 998 389

Mon. - Do. 7⁰⁰ - 20⁰⁰

Fr. 7⁰⁰ - 17⁰⁰

Paulmann Licht GmbH
31832 Springe / Germany
www.paulmann.com

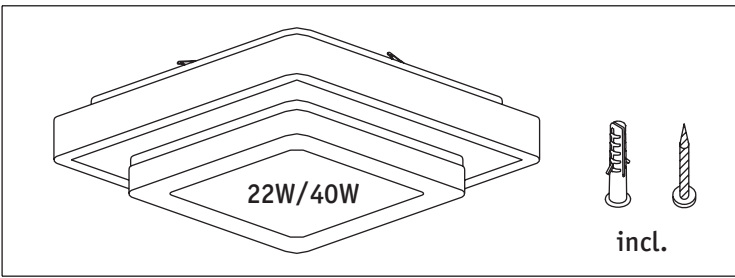
Art.-Nr.:

700.20

700.21

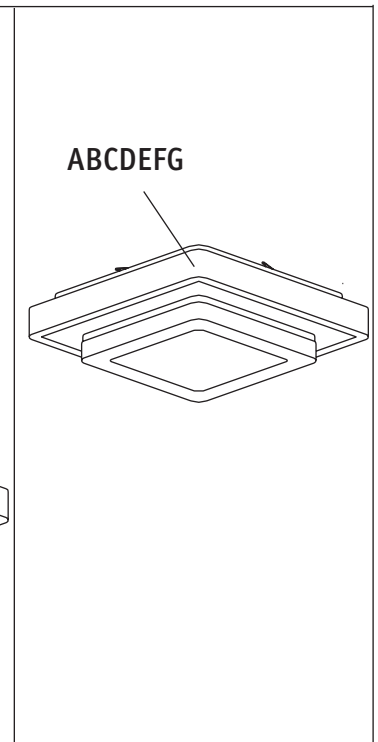
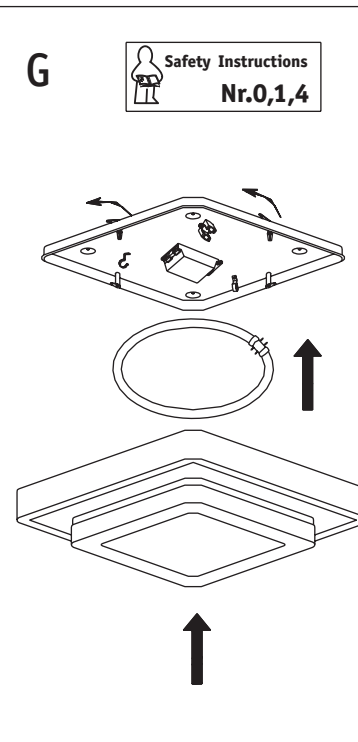
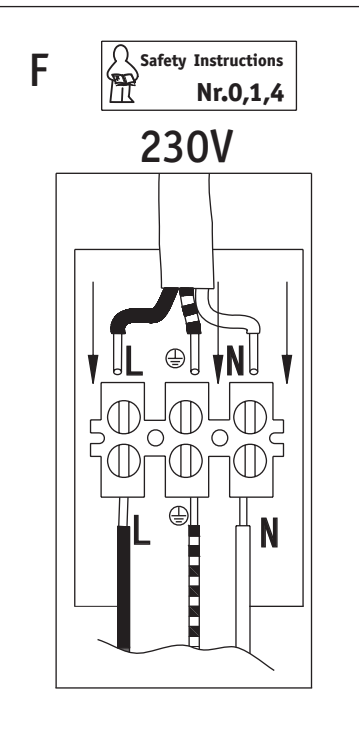
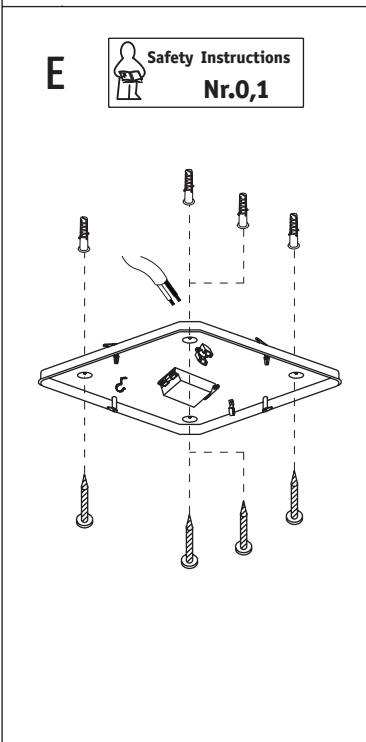
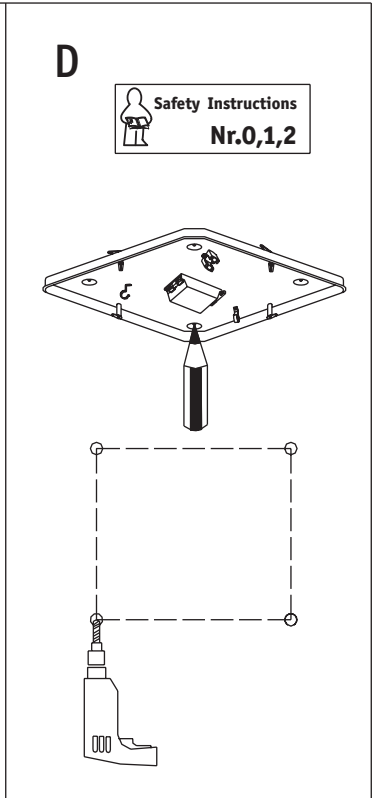
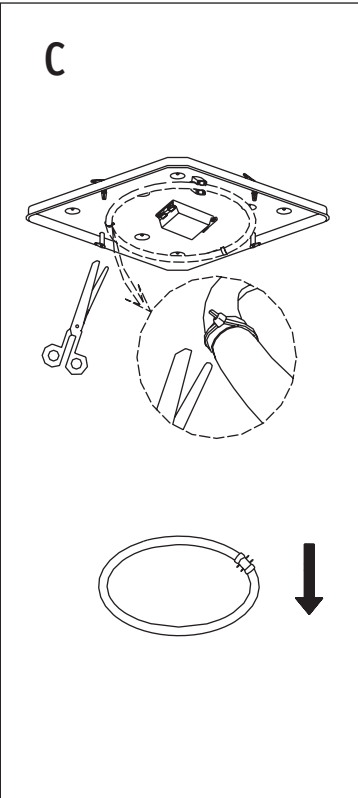
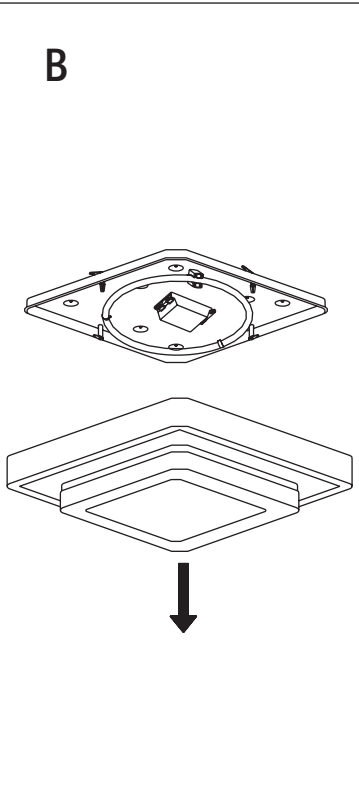
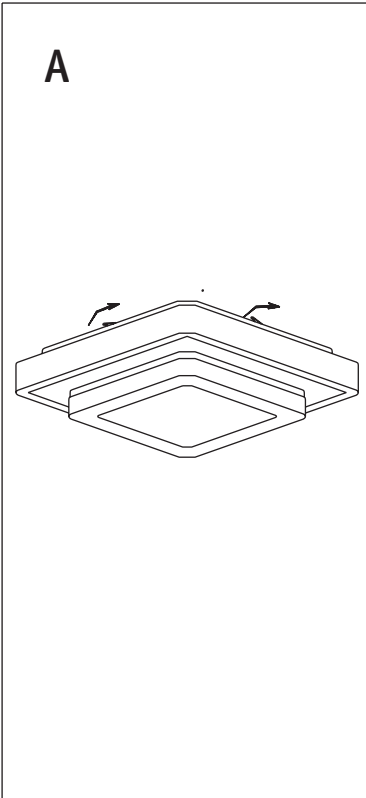
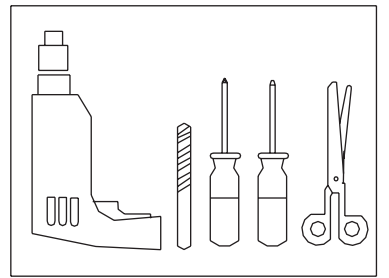
(+MA 173)

PSA12/12



700.20
incl.
1x22W T5
Paulmann
Art.-Nr. 884.48

700.21
incl.
1x40W T5
Paulmann
Art.-Nr. 884.47



Instruction for luminaire service

| Replace aged or failed lamp | Switch Off switch off supply to luminaire | Open Luminaire | Remove old lamp send to recycling centre | Fit new lamp Insert the new lamp into lamp holder | Refit optic | Make Functional test |
|-----------------------------|--|----------------|---|--|-------------|----------------------|
| | | | | | | |

Instruction for luminaire cleaning

| Clean Luminaire | Switch Off switch off supply to luminaire | Wipe outside optic | Remove optic | Clean inside luminaire | Refit Optic | Make Functional test |
|-----------------|--|--------------------|--------------|------------------------|-------------|----------------------|
| | | | | | | |

Instruction for end of life and components disposal

| Switch Off switch off supply to luminaire | Remove lamp for disposal | Remove battery for disposal | Remove luminaire for disposal | Dispatch materials to WEEE recycling plant |
|--|-----------------------------|--------------------------------|----------------------------------|---|
| | | | | |