



Safety Instructions



0,1,2,4,6,7,8,9,11,15,
22,25,27



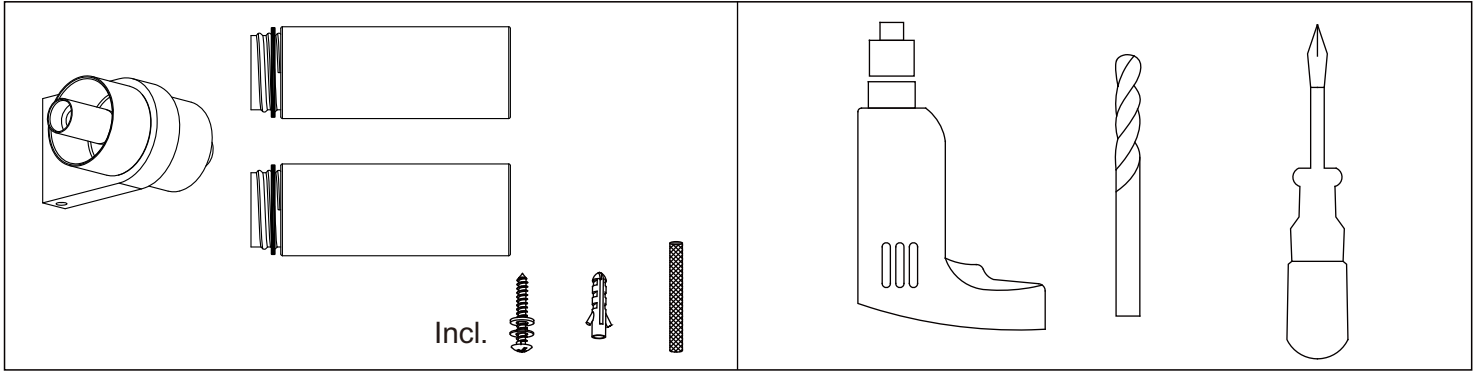
Info Hotline **+49 (0) 5041 998 389**
Mon. - Do. 7⁰⁰ - 20⁰⁰
Fr. 7⁰⁰ - 17⁰⁰

Paulmann Licht GmbH
31832 Springe / Germany
www.paulmann.com

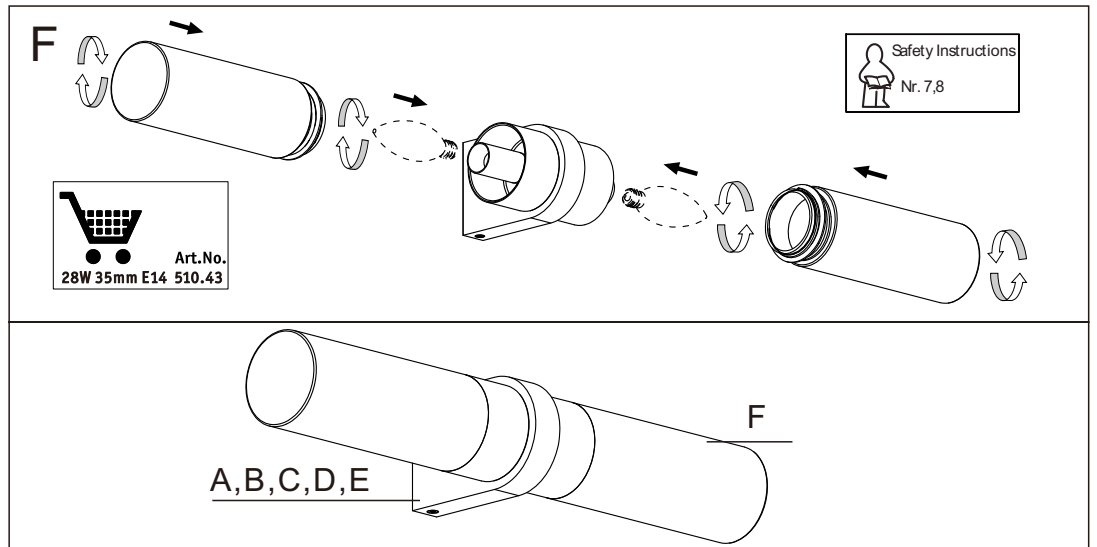
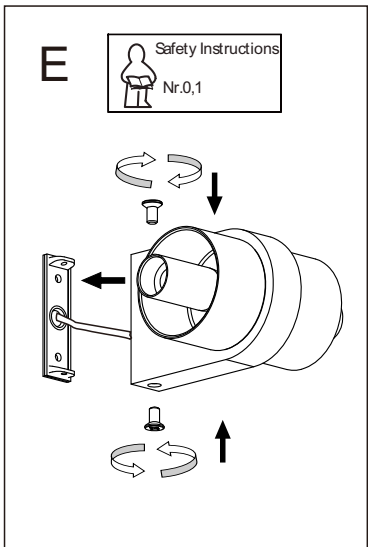
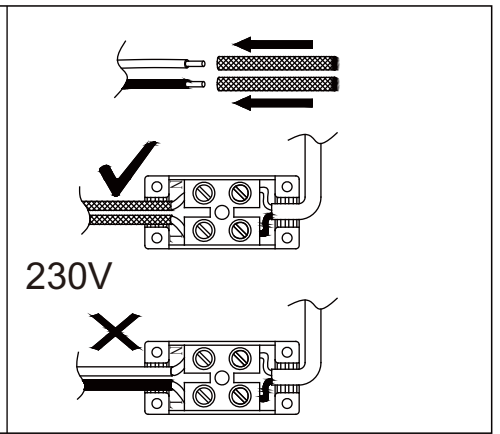
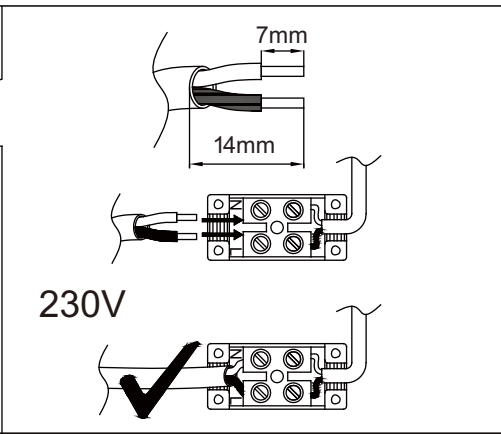
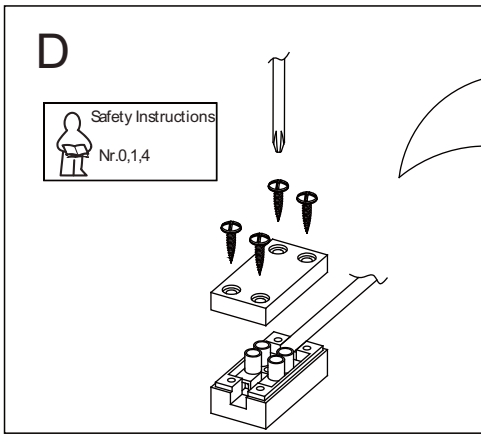
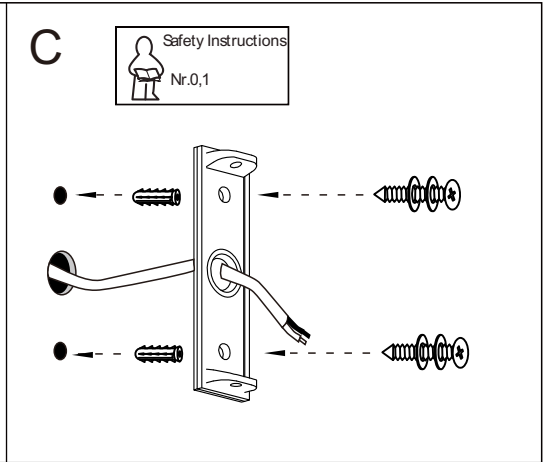
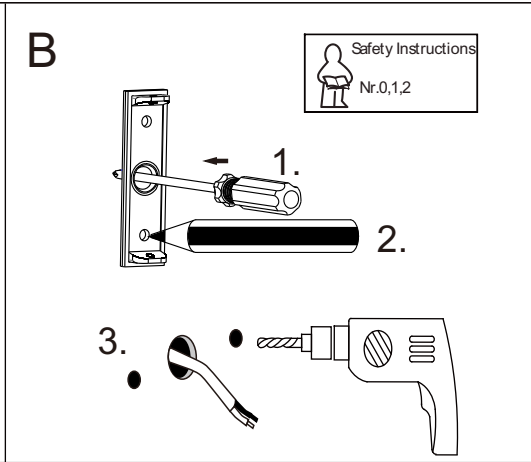
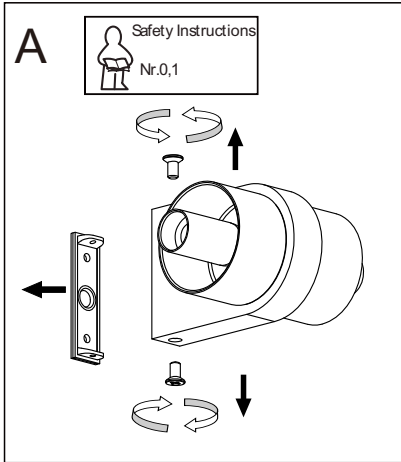
Art.-Nr.:
703.58

(+MA 173)

PYW 08/14



Incl.



A,B,C,D,E

F