



Safety Instructions



6, 7, 8, 9, 11, 15, 22,
26, 27, 28



Info Hotline **+49 (0) 5041 998 389**

Mon. - Do. 7⁰⁰ - 20⁰⁰

Fr. 7⁰⁰ - 17⁰⁰

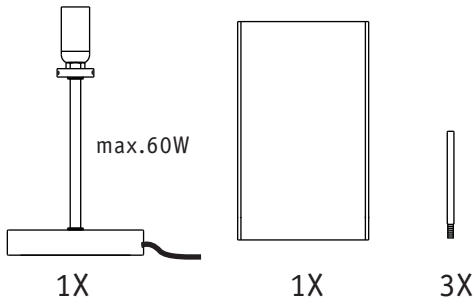


Paulmann Licht GmbH
31832 Springe / Germany
www.paulmann.com

Art.-Nr.:
770.15

(+MA 173)

PH 01/13 



not incl.
1x42W
E14

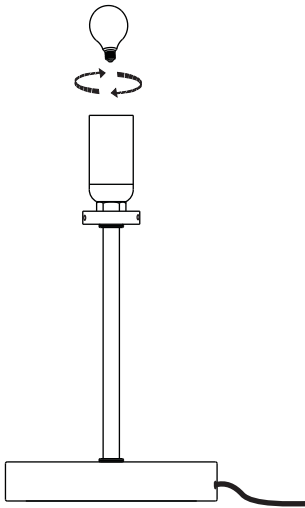


Paulmann
Art.-Nr.314. 67

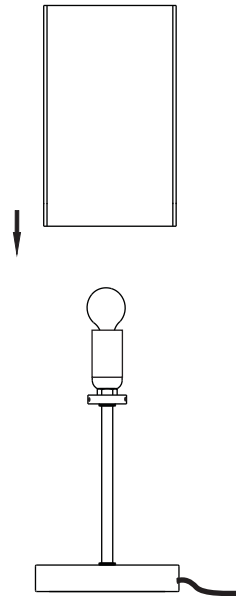


A

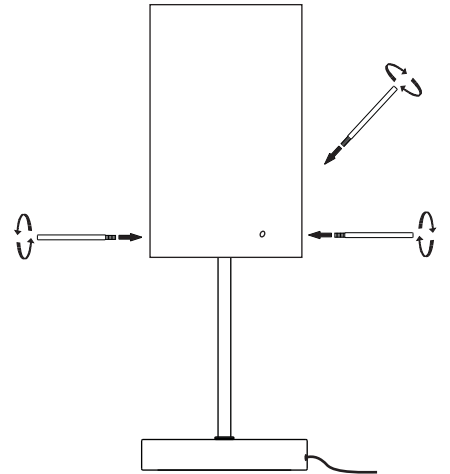
Safety Instructions
Nr. 7, 8



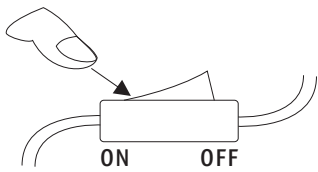
B



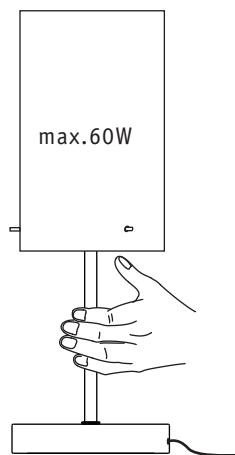
C



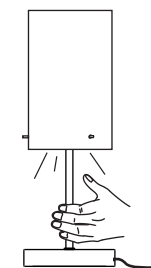
D



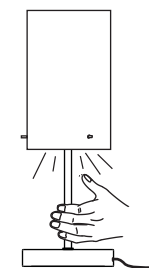
E



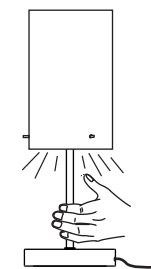
1



2



3



4

