

## Safety Instructions



0,1,2,3,4,5b,6,7,8,9,  
10,11,12,13,14,15,16,17,  
20,21,22,23,24

Info Hotline 

+49 (0) 5041 998 389

Mon.-Do. 7<sup>00</sup>-20<sup>00</sup>

Fr. 7<sup>00</sup>-17<sup>00</sup>

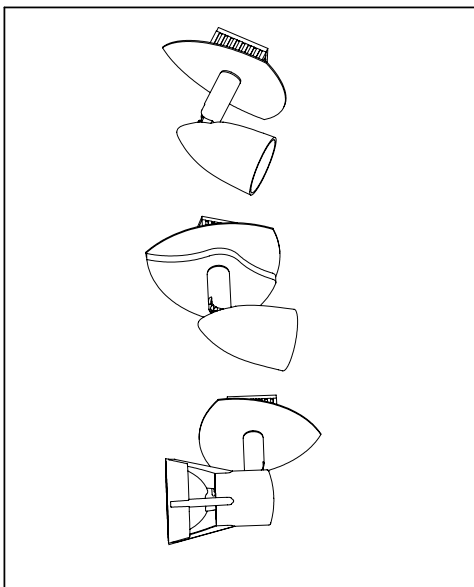
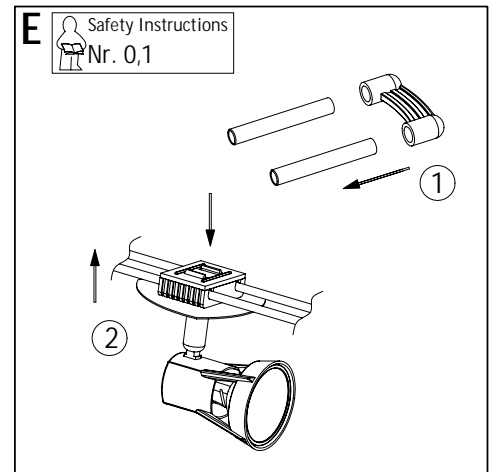
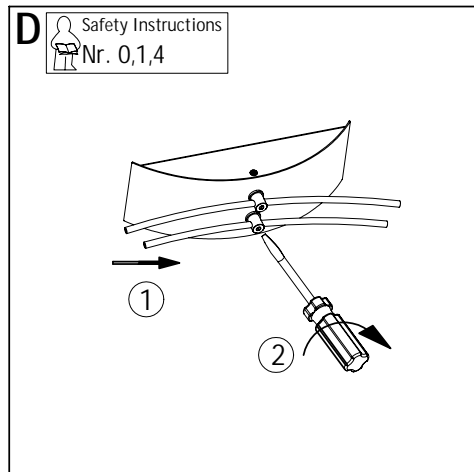
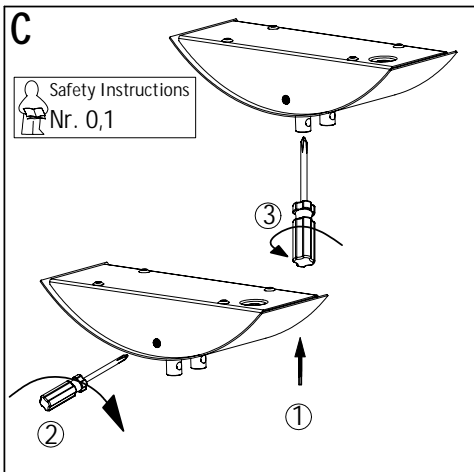
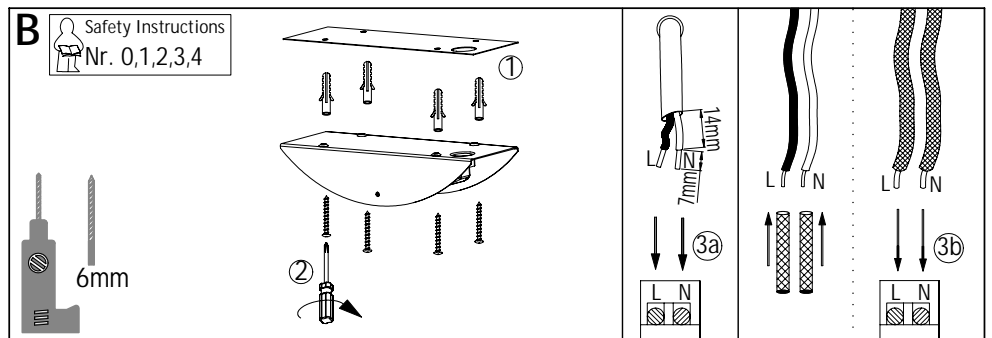
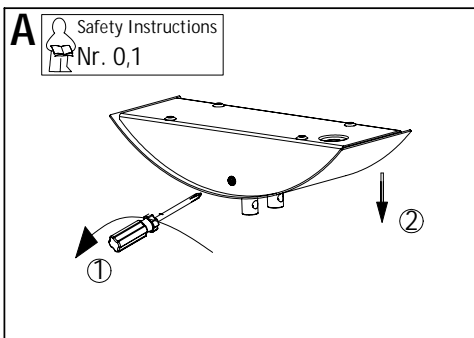
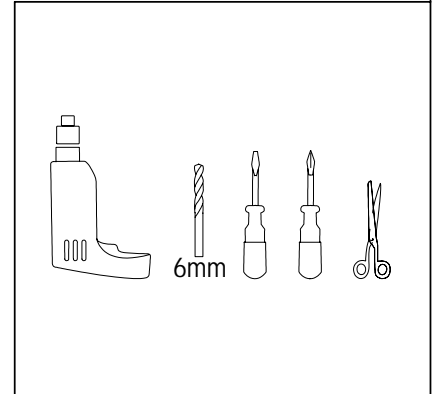
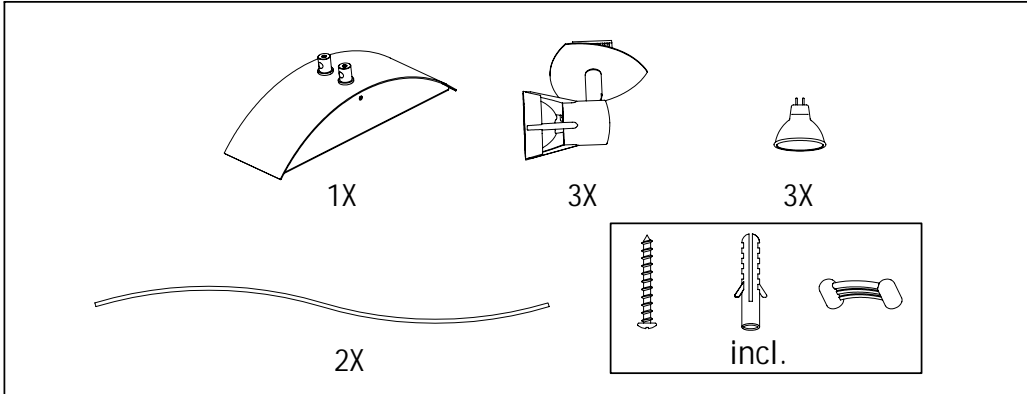


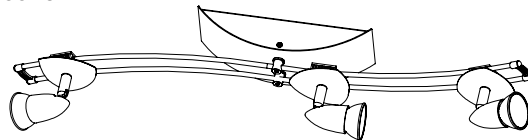
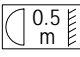

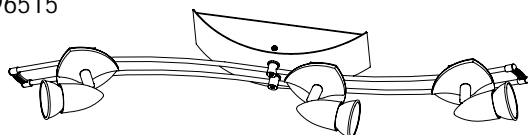
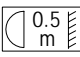

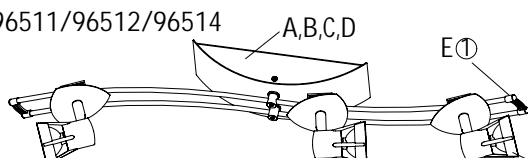
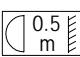

Paulmann Licht GmbH  
31832 Springe / Germany  
www.paulmann.com

Art.-Nr.:  
96511/96512  
96513/96514  
96515

(+MA 173)

PDG 03/10



96513		>0.5m= 		Art.No. 35W GU5.3 833.31
96515		>0.5m= 		Art.No. 35W GU5.3 833.31
96511/96512/96514		>0.5m= 		Art.No. 35W GU5.3 833.31

Safety Instructions Nr. 9