



Safety Instructions



0,1,4,6,7,8,9,11,
15,20,22,26,27



Info Hotline



+49 (0) 5041 998 389

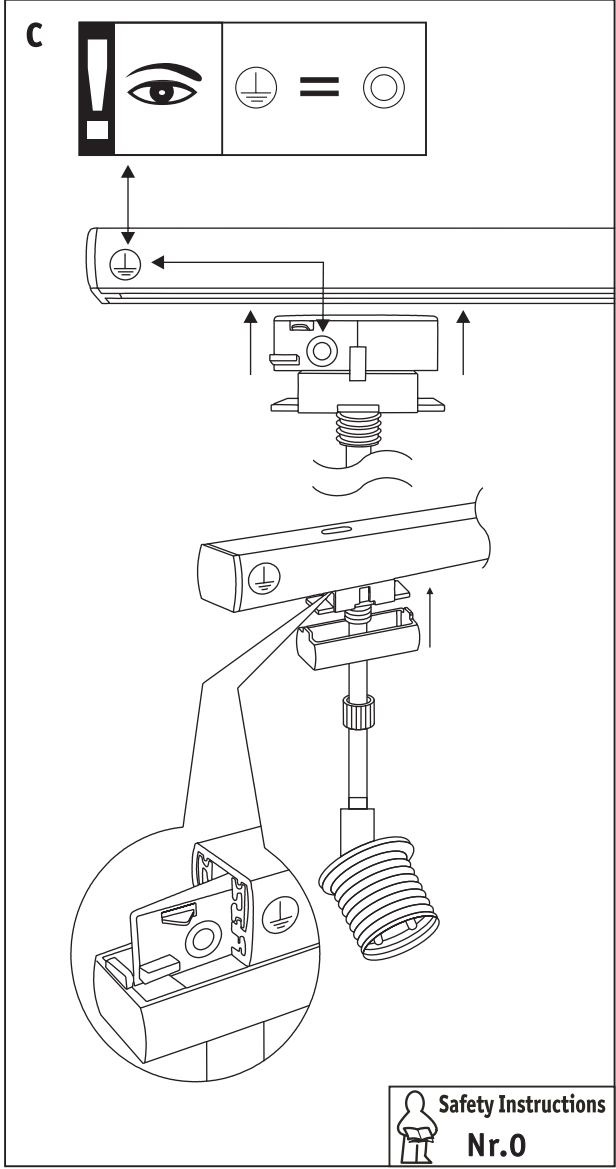
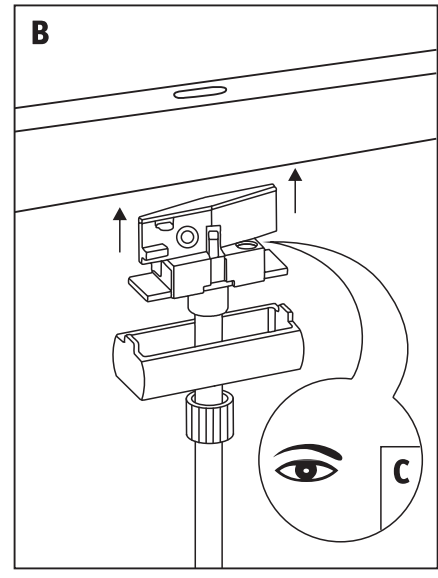
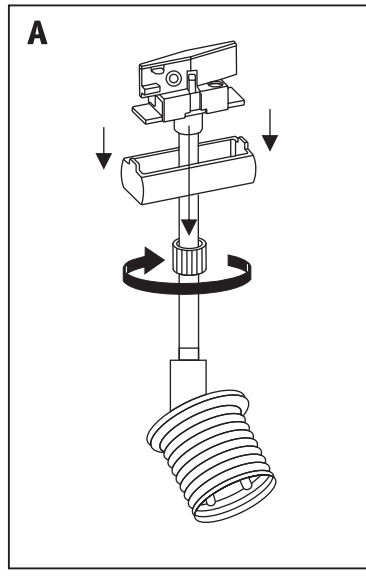
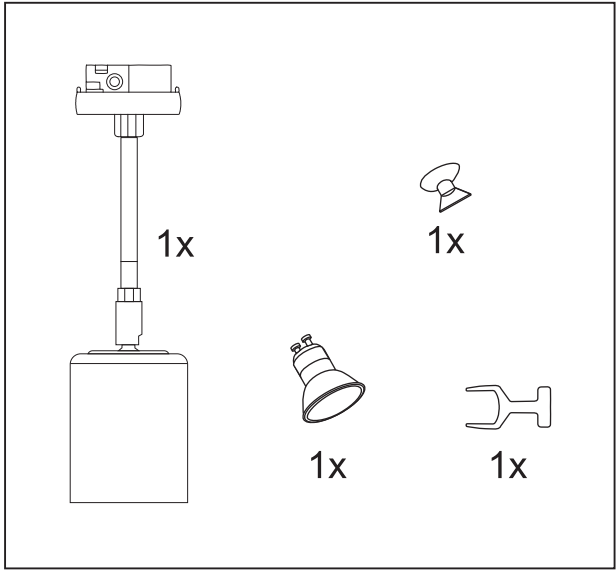
Mon.-Do. 7⁰⁰ - 20⁰⁰

Fr. 7⁰⁰ - 17⁰⁰

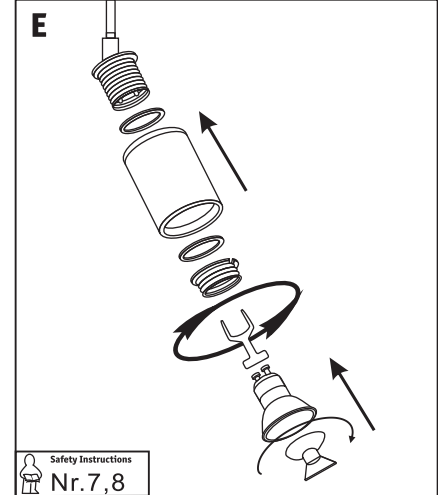
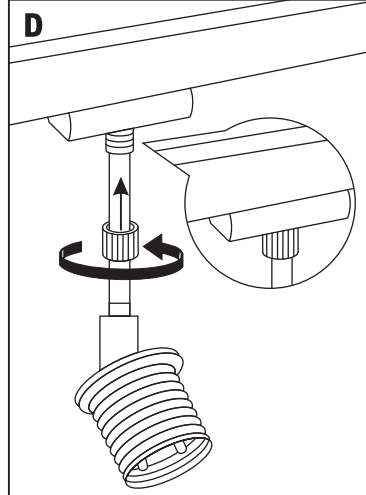
Paulmann Licht GmbH
31832 Springe / Germany
www.paulmann.com

Art.-Nr.:
968.42

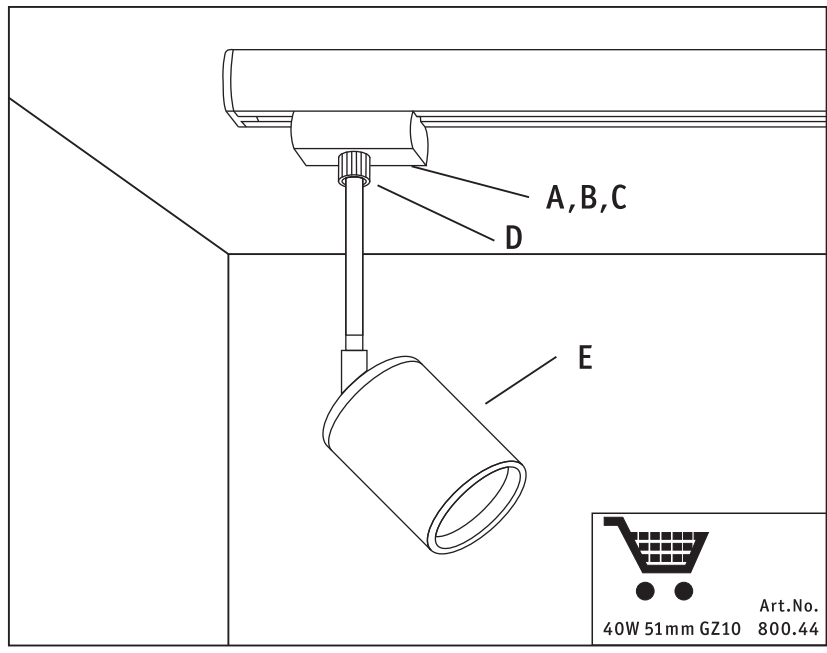
(+MA 173)
PBO 05/11



Safety Instructions
Nr.0



Safety Instructions
Nr.7,8



Art.No.
40W 51mm GZ10 800.44