



Safety Instructions



0, 1, 4, 6, 7, 8, 9, 11,
15 18, 20, 22, 26, 27

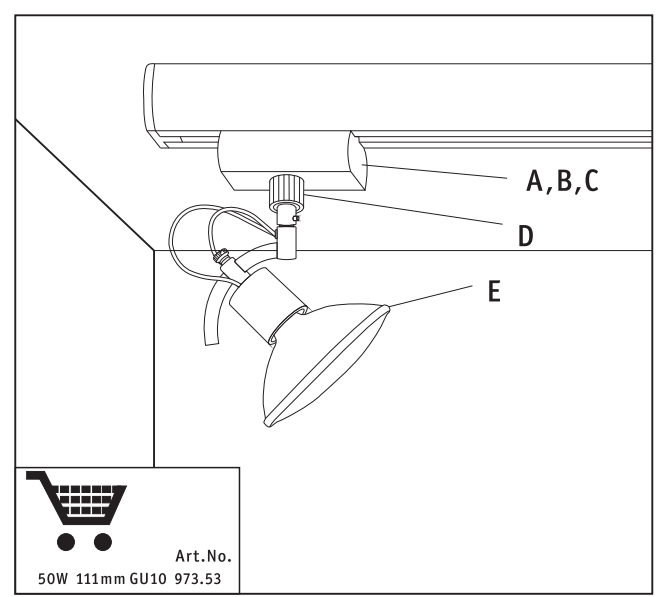
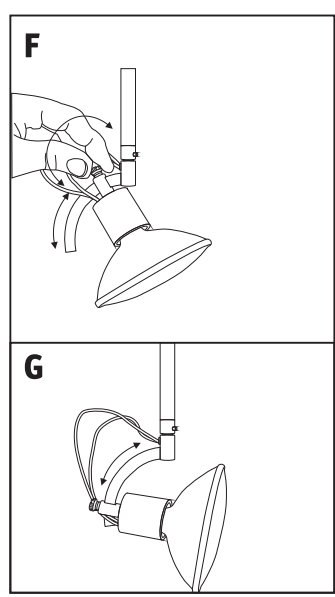
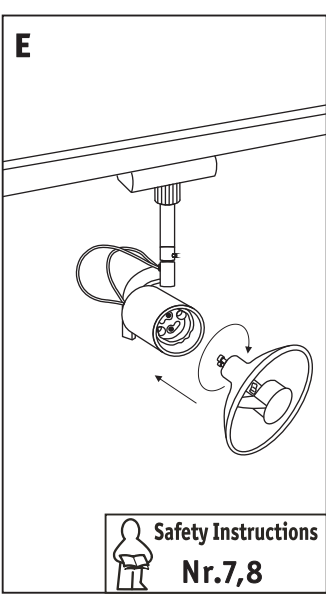
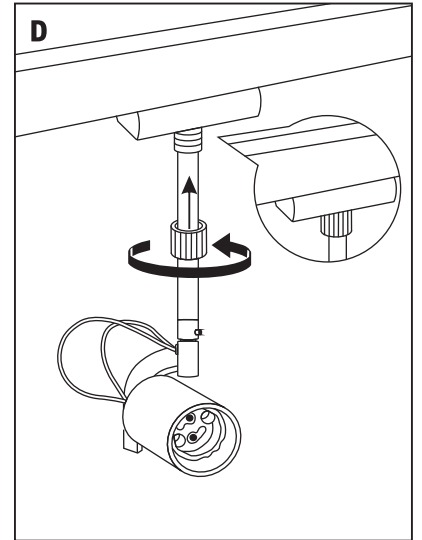
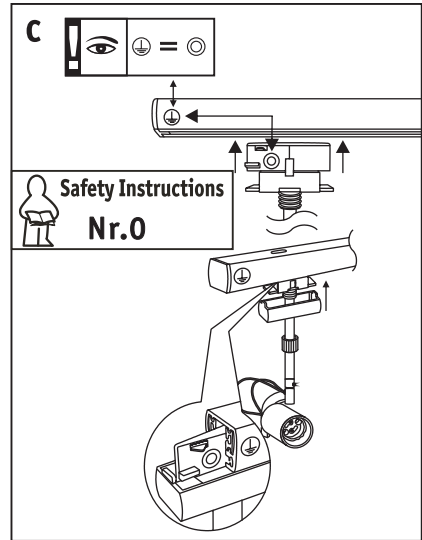
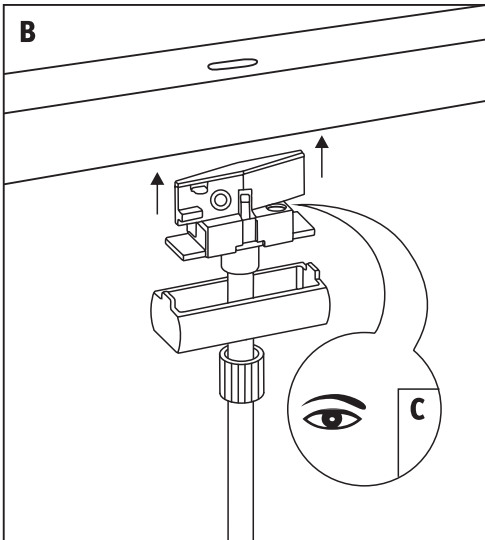
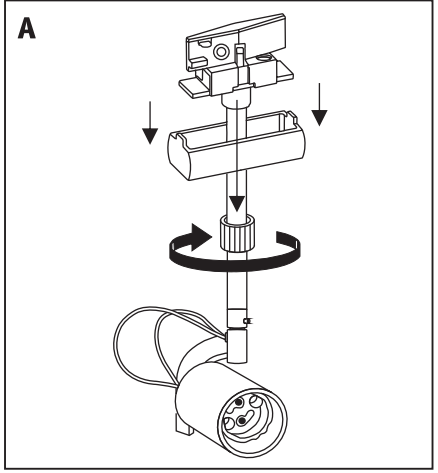
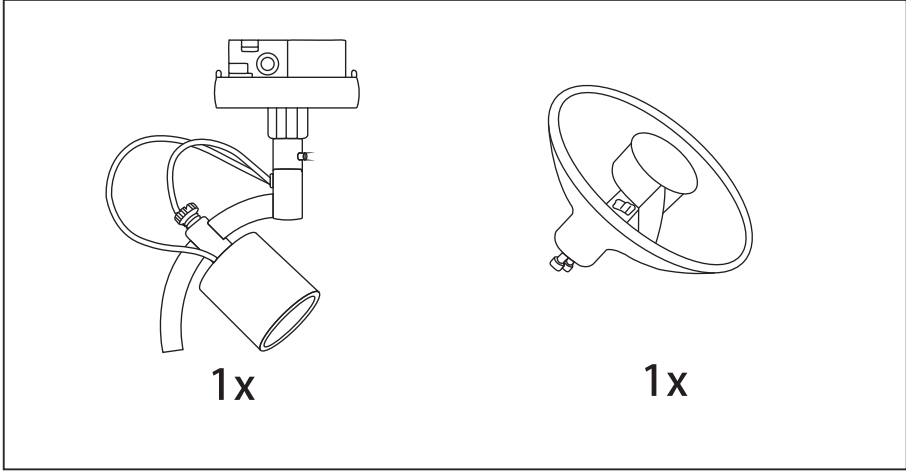
Info Hotline



+49 (0) 5041 998 389
Mon. - Do. 7⁰⁰ - 20⁰⁰
Fr. 7⁰⁰ - 17⁰⁰

Paulmann Licht GmbH
31832 Springe / Germany
www.paulmann.com

Art.-Nr.:
968.45
968.83
976.91
(+MA 173)
PBO 06 / 11



Safety Instructions
Nr.7,8

Art.No.
50W 111mm GU10 973.53