



# Safety Instructions



0,1,4,6,7,8,9,11,15,  
20,22,26,27



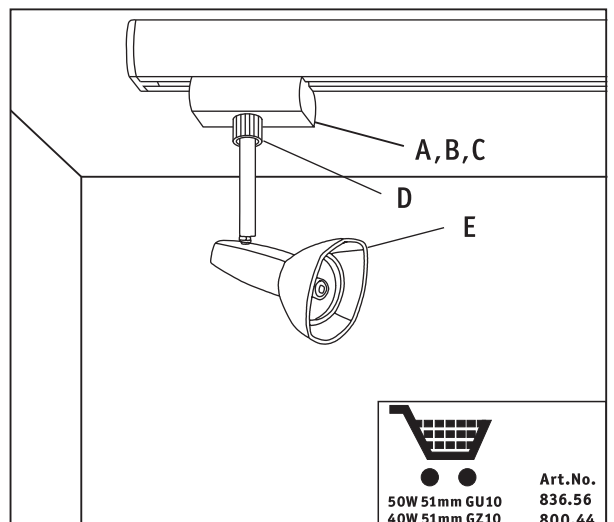
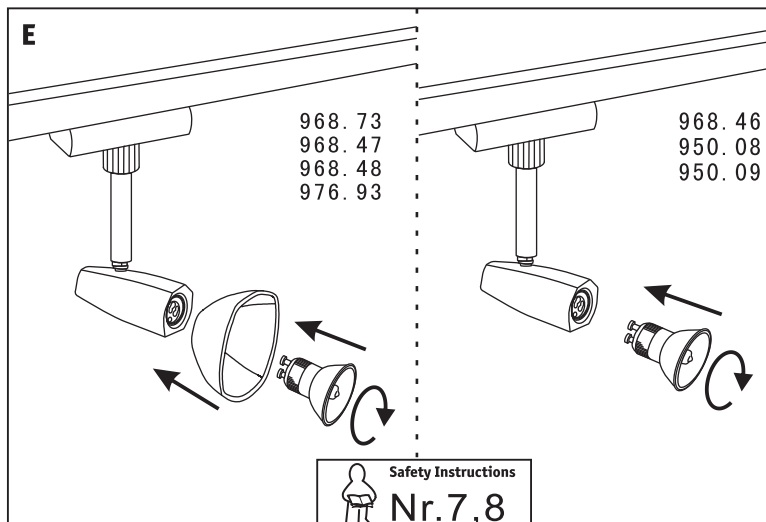
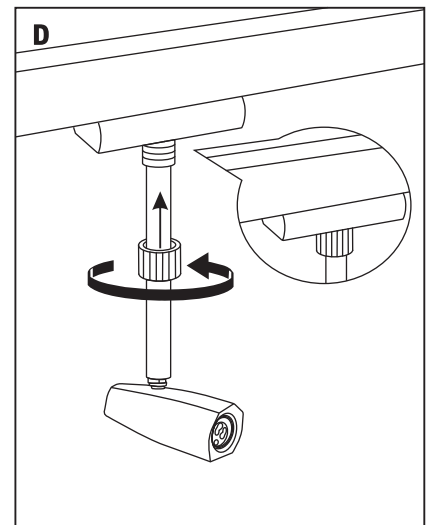
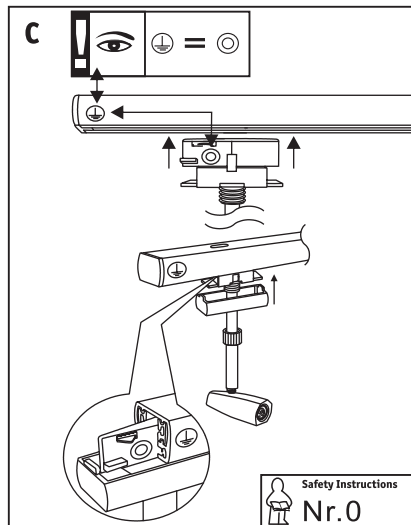
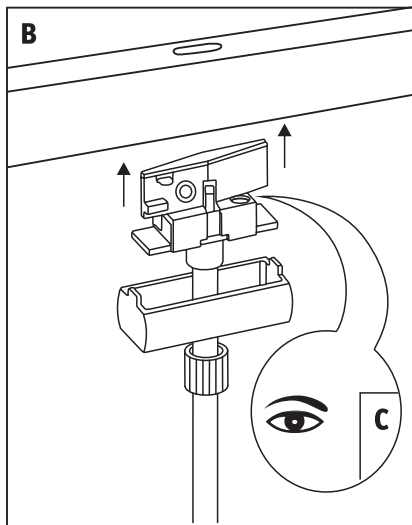
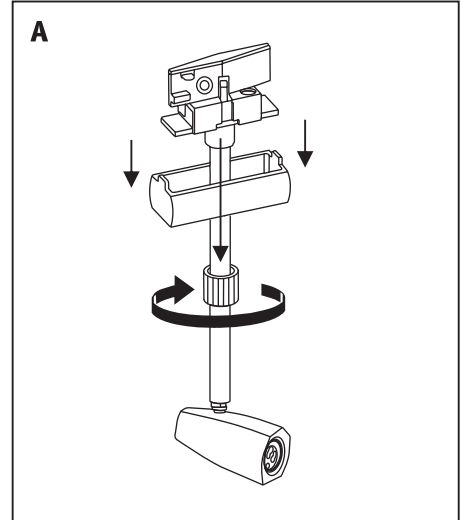
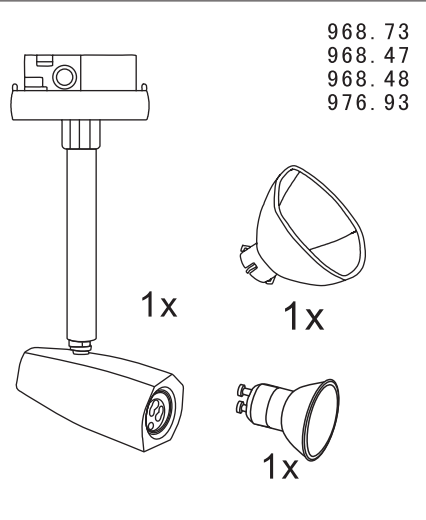
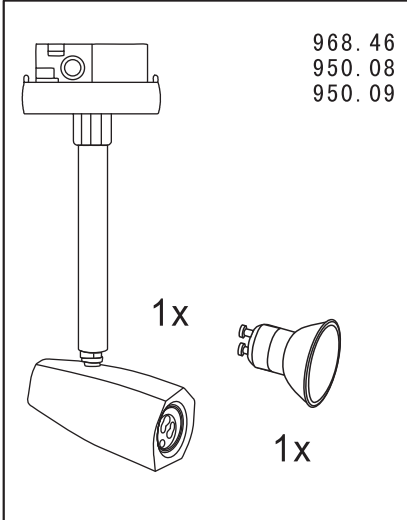
+49 (0) 5041 998 389

Mon. - Do. 7<sup>00</sup> - 20<sup>00</sup>

Fr. 7<sup>00</sup> - 17<sup>00</sup>

Paulmann Licht GmbH  
31832 Springe / Germany  
www.paulmann.com

Art.-Nr.:  
950.08  
950.09  
968.46  
968.73  
968.47  
976.93  
968.48  
(+MA 173)  
PBO 05/11



Art.No.  
50W 51mm GU10 836.56  
40W 51mm GZ10 800.44