

Safety Instructions **CE**

0, 1, 2, 3, 4, 5a, 6, 7, 8, 9,
10,11,12,13,14,15,16,17,
18,20,21,22,23,24

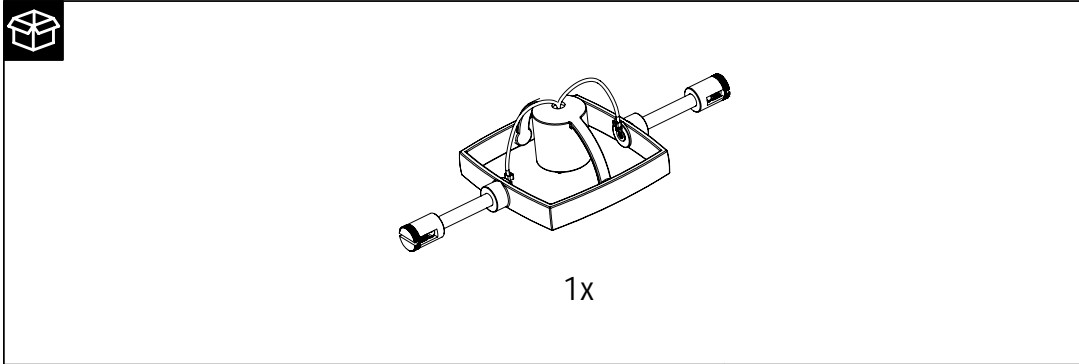
Info Hotline

+49 (0) 5041 998 389
 Mon. - Do. 7⁰⁰ - 20⁰⁰
 Fr. 7⁰⁰ - 17⁰⁰

Paulmann Licht GmbH
 Quezinger Feld 2
 31832 Springe
 Germany
 www.paulmann.com

Art.-Nr.: 97490

(+MA 173) PDG 02/15



Lightbulb icon

incl. 35W GU5.3

Shopping cart icon Art.-Nr.: 833.16
 www.paulmann.com

A **Safety Instructions** Nr. 0,1,4

B **Safety Instructions** Nr. 0,1,4

Safety Instructions Nr. 9

Warning icon 0.5m

Info icon **A B**