



Safety Instructions



0,1,2,4,6,7,8,9,11,
15,20,22,26,27

 Info Hotline 

+49 (0) 5041 998 389

Mon. - Do. 7⁰⁰ - 20⁰⁰

Fr. 7⁰⁰ - 17⁰⁰

Paulmann Licht GmbH
31832 Springe / Germany
www.paulmann.com

Art.-Nr.:

968.71

976.86

976.56

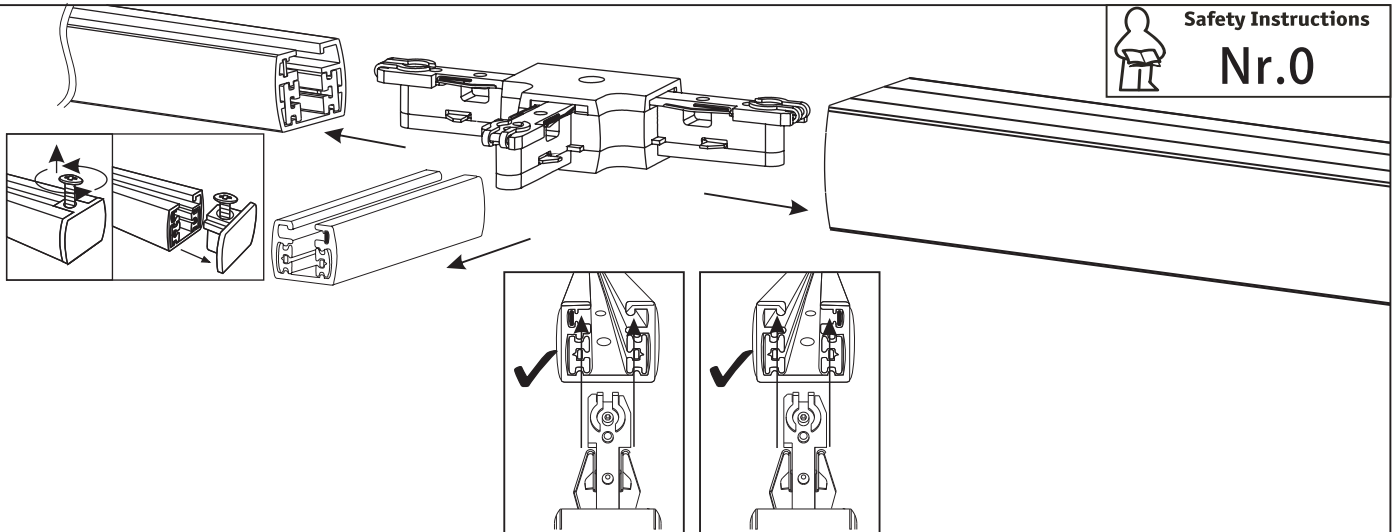
(+MA 173)

PBO 04/11

incl. 

1x 

A



B

