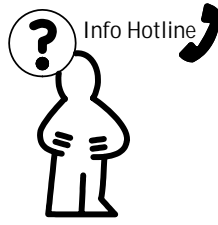


# Safety Instructions



0,1,2,4,5b,6,7,8,9,10,11,12,  
13,15,16,20,22,23



+49 (0) 5041 998 389

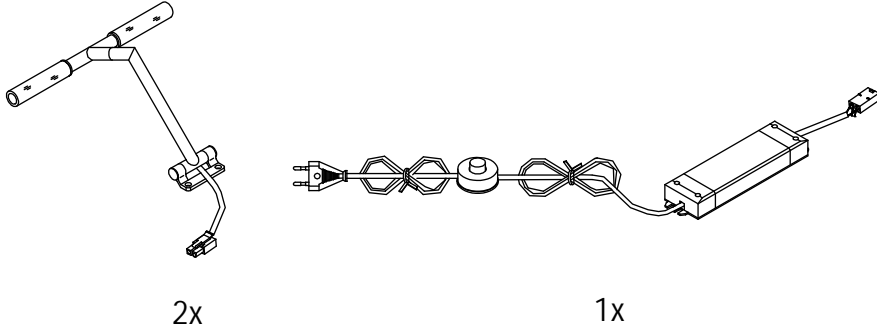
Mon.-Do. 7<sup>00</sup>-20<sup>00</sup>

Fr. 7<sup>00</sup>-17<sup>00</sup>

Paulmann Licht GmbH  
31832 Springe / Germany  
www.paulmann.com

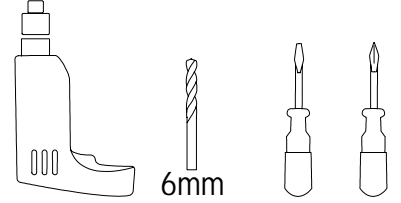
Art.-Nr.:  
99619

(+MA 173)  
PBO01/11

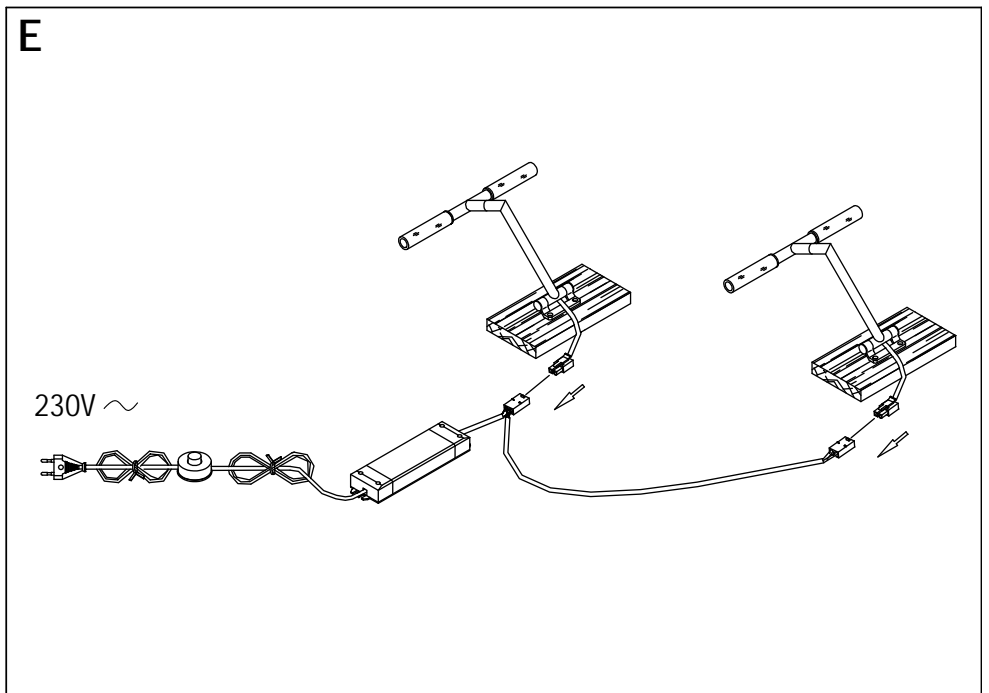
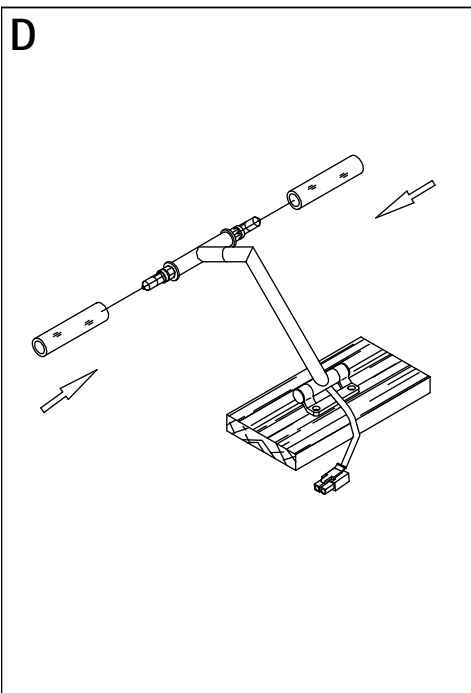
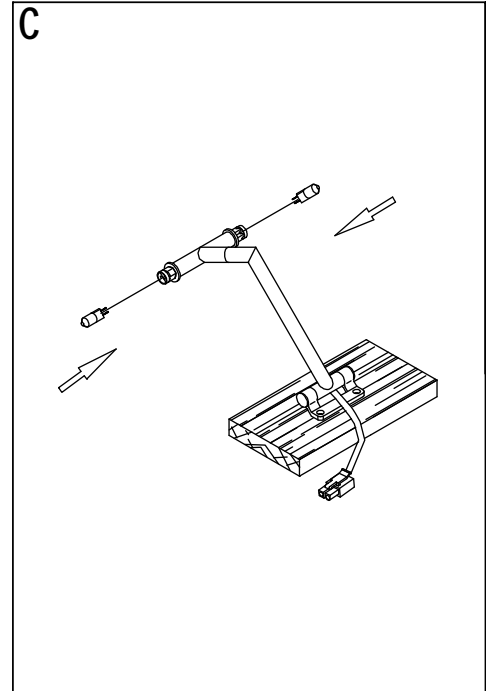
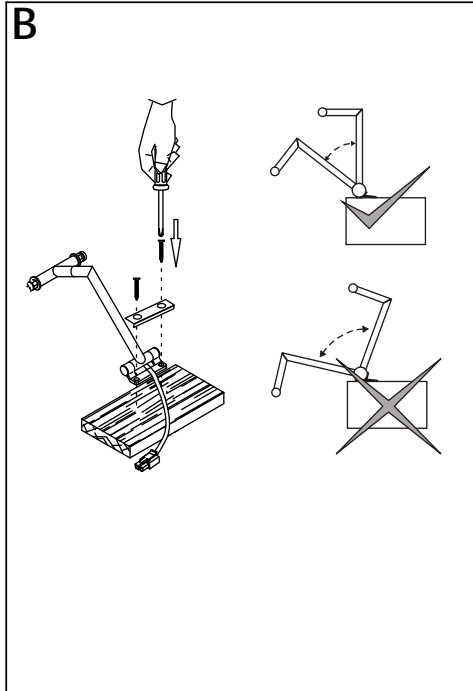
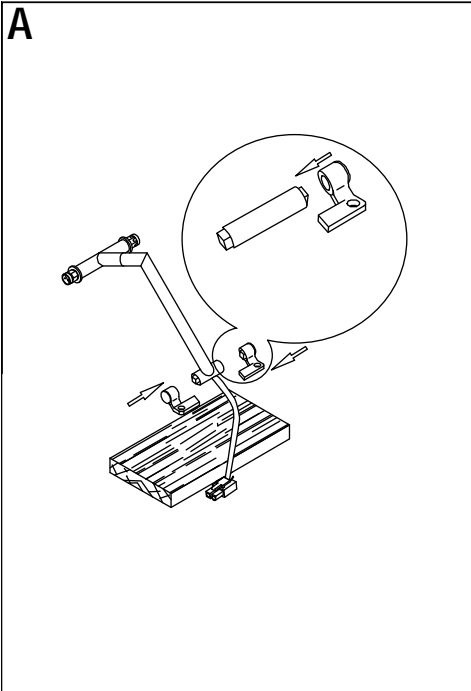


2x

1x



6mm



230V ~