



Safety Instructions



6, 7, 8, 9, 11, 15, 18, 20,
22, 27



Info Hotline



+49 (0) 5041 998 389

Mon. - Do. 7⁰⁰ - 20⁰⁰

Fr. 7⁰⁰ - 17⁰⁰

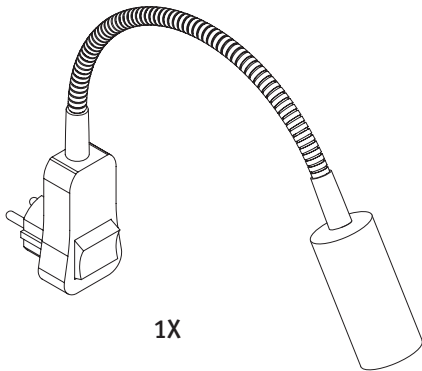


Paulmann Licht GmbH
31832 Springe / Germany
www.paulmann.com

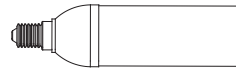
Art.-Nr.:
99694

(+MA 173)

PEA 09/09

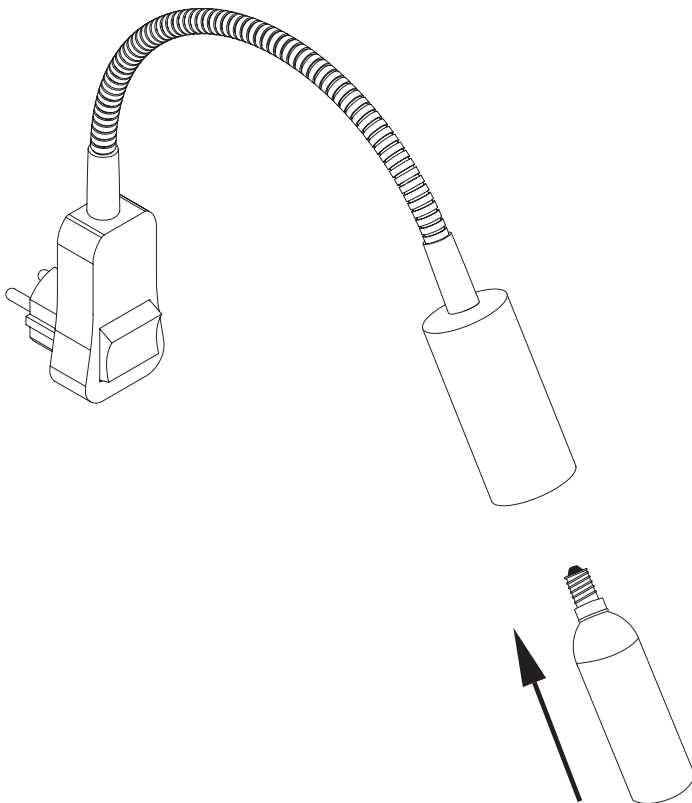


1X

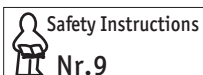
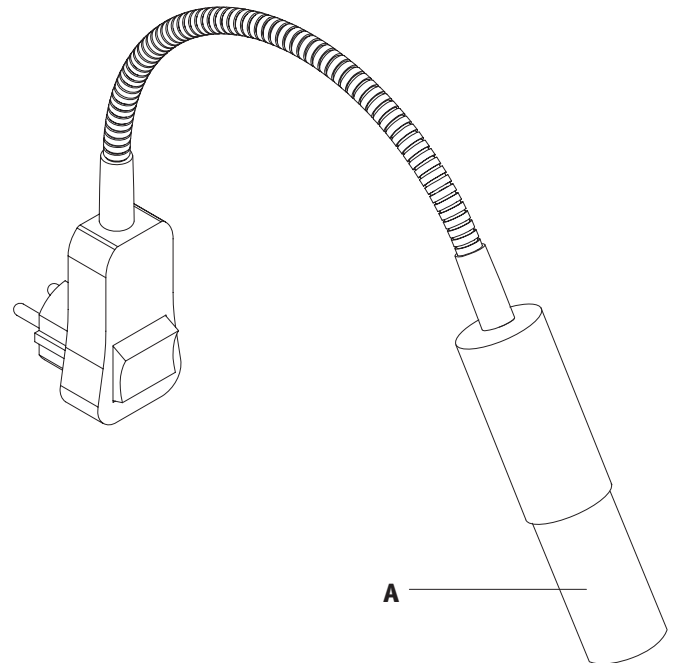


1X

A



B



Safety Instructions

Nr.9



E14 9W

Art.-Nr.:894.09