


## Safety Instructions



0, 1, 2, 3, 4, 6, 7, 8, 9, 11, 15,  
20, 22, 25, 26, 27, 28



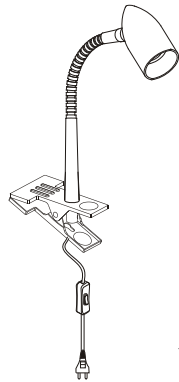
Info Hotline  **+49 (0) 5041 998 389**  
Mon. - Do. 7<sup>00</sup> - 20<sup>00</sup>  
Fr. 7<sup>00</sup> - 17<sup>00</sup>

Paulmann Licht GmbH  
31832 Springe / Germany  
www.paulmann.com

Art.-Nr.:  
**99823**

(+MA 173)

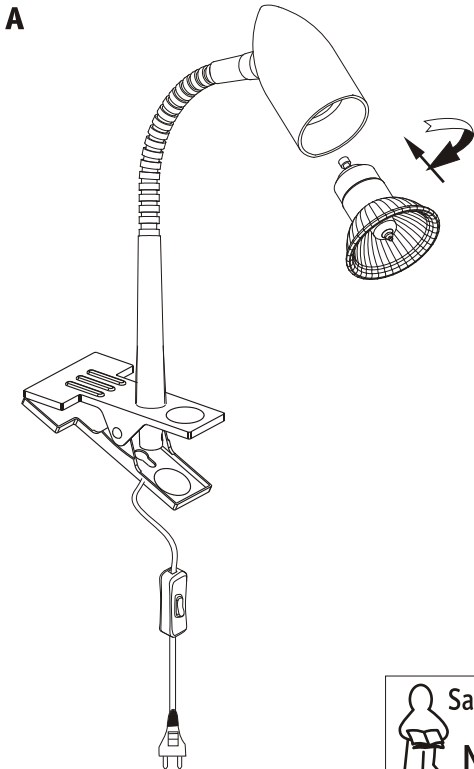
PEA 08/12



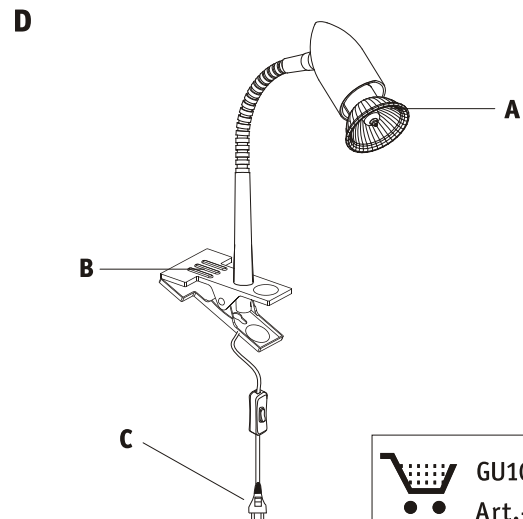
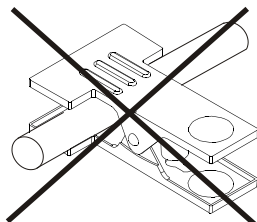
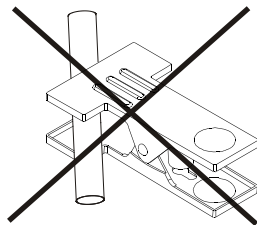
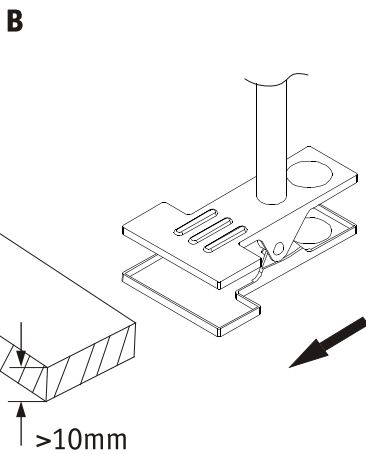
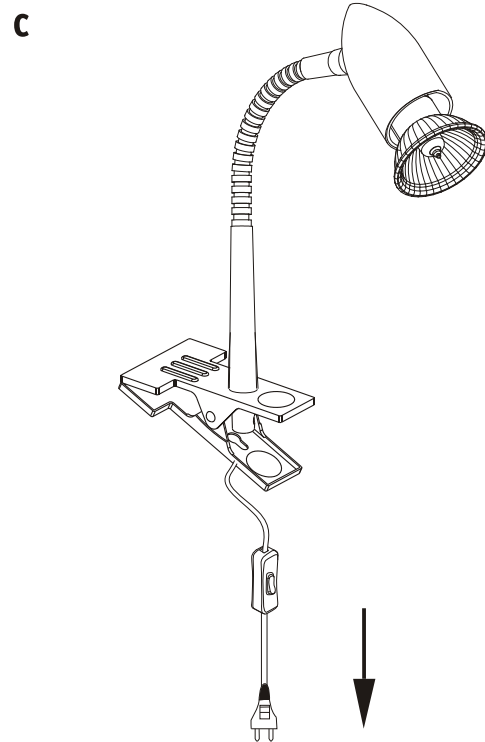
1X




1X



 Safety Instructions  
Nr.9



 **GU10 35W**  
Art.-Nr.:836.36