

POLYETHYLENE SHOWERS FOR HOT AND COLD WATER
OPERATION & MAINTENANCE MANUAL



SINED

SHOWER-MOON-D-WHITE-LCD – LUNA-BLANC-LCD

SHOWER-LUNA-D-BLACK-LCD – LUNA-BLACK-LCD



The photo is only indicative. The actual product may appear to be a different coloring.

OPERATION & MAINTENANCE MANUAL

This manual is an integral part of the product purchased. It contains important information for the installation and use of the product. Before using the product, read the instructions carefully, especially the safety warnings. Failure to follow instructions and warnings may result in serious injury and damage to the product. The instructions provided are based on the rules and regulations in force in the European Union. For other countries, please comply with the applicable specific provisions. Keep instructions in case you need it in the future and pass them on to a third party.

INTENDED USE

A shower with a separate hot and cold water supply is designed to be used both indoors and outdoors. Use the product only as described in the instructions. Any other use may cause damage to property or even people. This product is not a toy. The manufacturer or seller assumes no liability for any damage resulting from improper use or not in accordance with the intended use.

Safety Warnings

Read carefully and follow all warnings and instructions. Failure to follow these rules may result in property damage, serious injury, or even death. These warnings, instructions and product safety provisions encompass many, but not all, possible risks and hazards. It is recommended to exercise caution and properly assess all hazardous situations. Improper use of the product can also be life-threatening.

Careful! Any repairs should only be carried out by qualified personnel in order to avoid possible hazards. If necessary, contact a qualified technician. In the event of self-repair, incorrect installation or incorrect use, liability and warranty claims are void. Only spare parts that match the original product data can be used for repairs.

WARNING! Hazards to children and people with reduced physical, sensory or mental abilities or lack of experience and knowledge: Children should not play with this product. Cleaning should not be carried out by children or persons with reduced physical, sensory or mental abilities.

NOTE: Risk of damage! The product may be damaged by misuse.

Content Control

WARNING! Risk of damaging the product! If the package is opened carelessly with a sharp knife or other sharp tools, the contents may be damaged. When opening the package, be very careful!

Check that the product and the various components are intact and undamaged. If this is not the case, do not use the product and contact the seller immediately.

The package contains:

- Shower with mixer tap, LCD-LED-5 shower head and footwash faucet
- Complete installation kit with screws

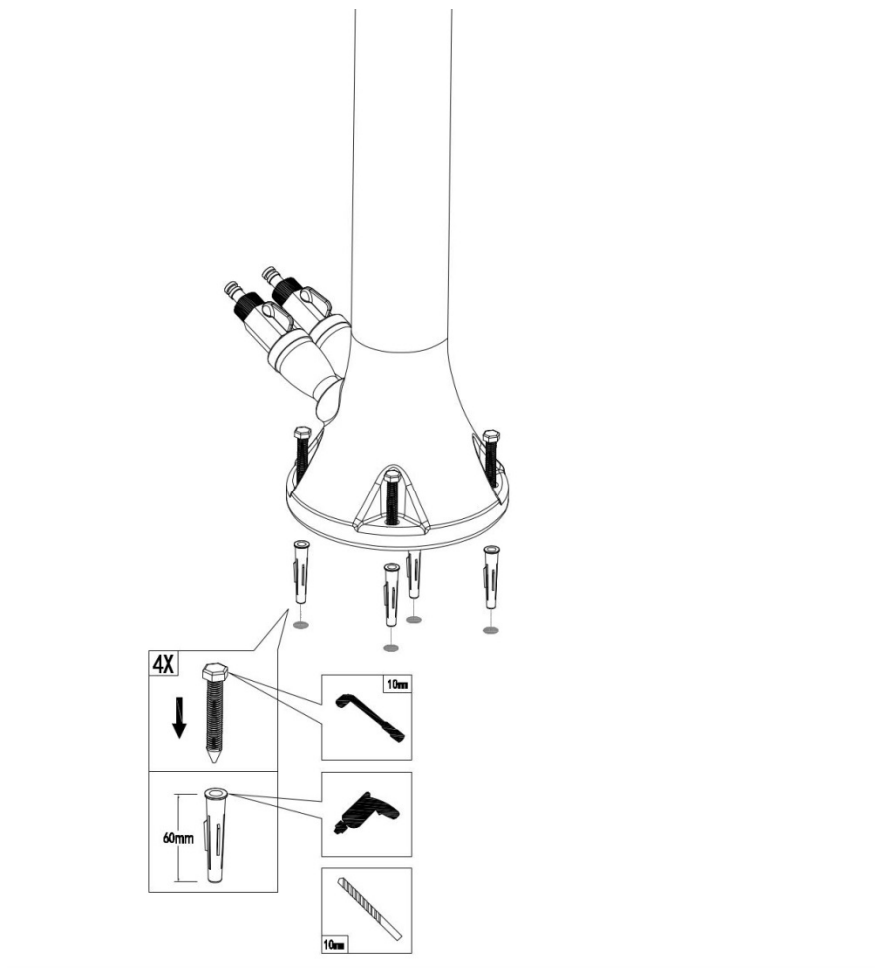
- 2 anti-limescale filters
- 1 protective bag
- Use & Maintenance Manual
- 2 inlet taps

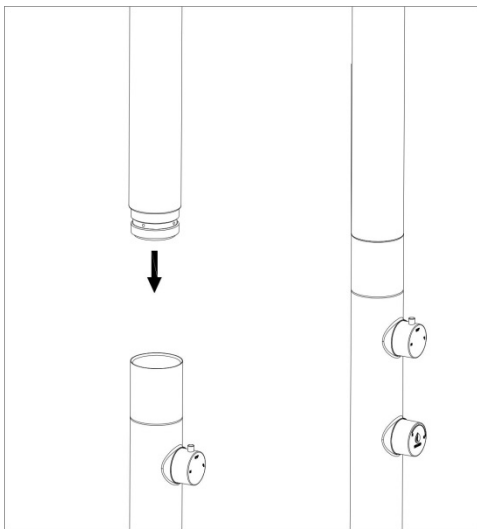
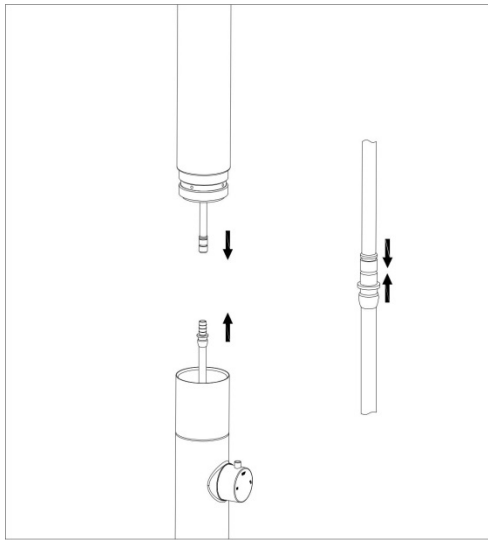
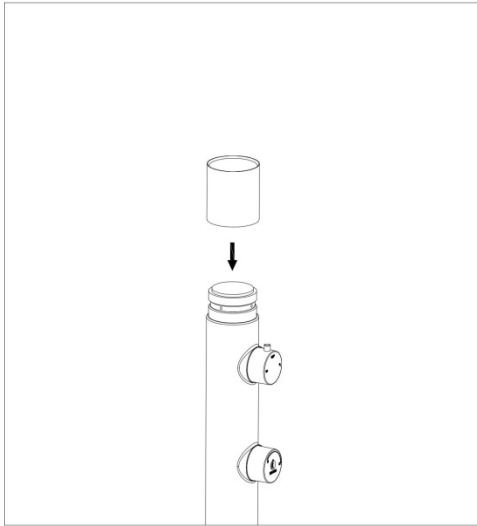
1. Installation

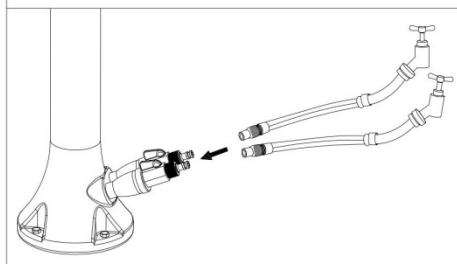
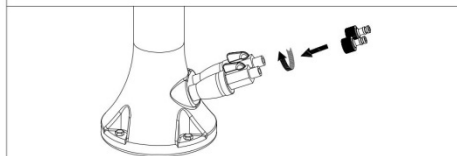
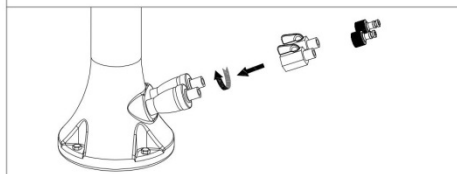
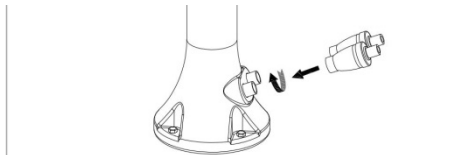
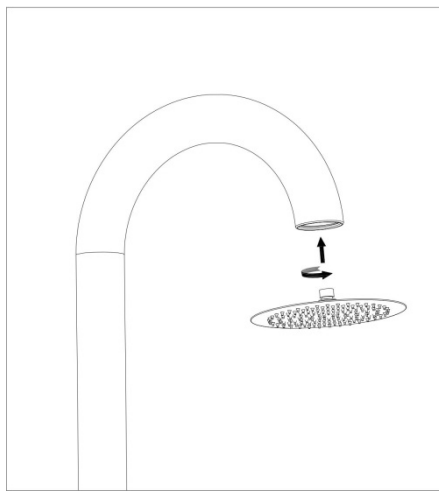
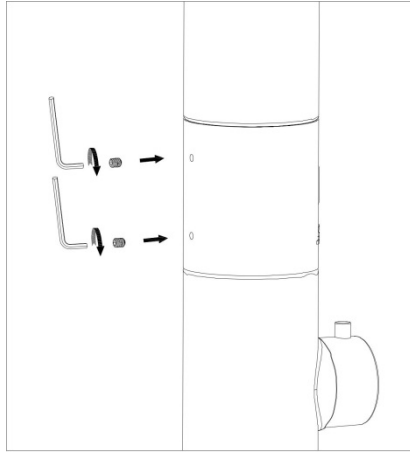
1.1 Installing the Shower

The installation must be carried out by specialized personnel on a solid, perfectly flat and level support, capable of supporting the weight of the shower and preventing it from falling.

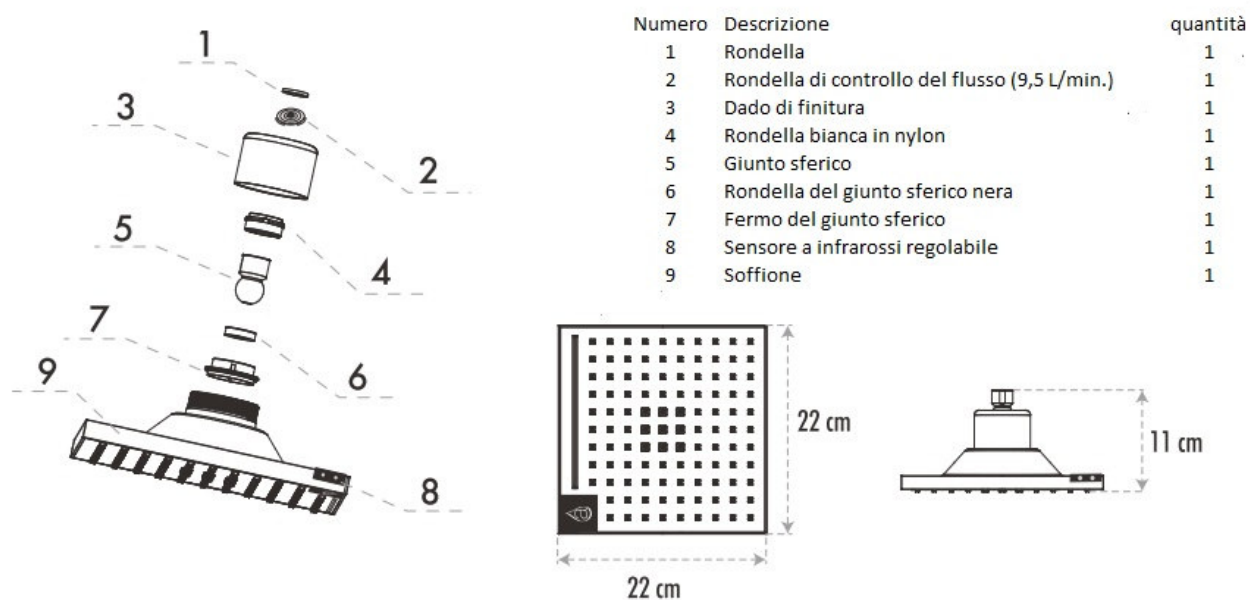
Follow the steps shown in the images:





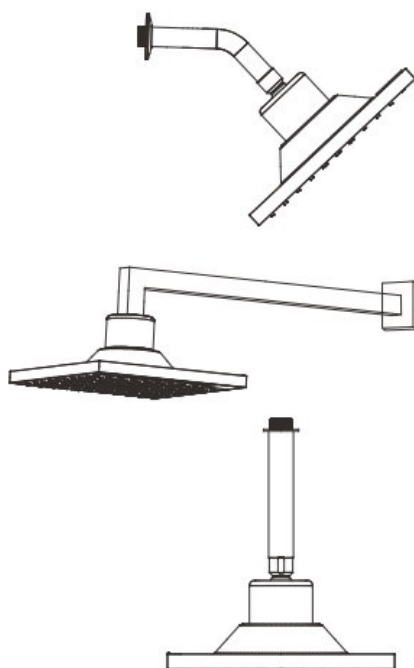


1.2 Shower head parts list



The model shown in the installation steps may differ from the one contained in the package. However, the login and installation steps remain the same.

Recommended Use



Tilt the infrared sensor up and down to adjust its range

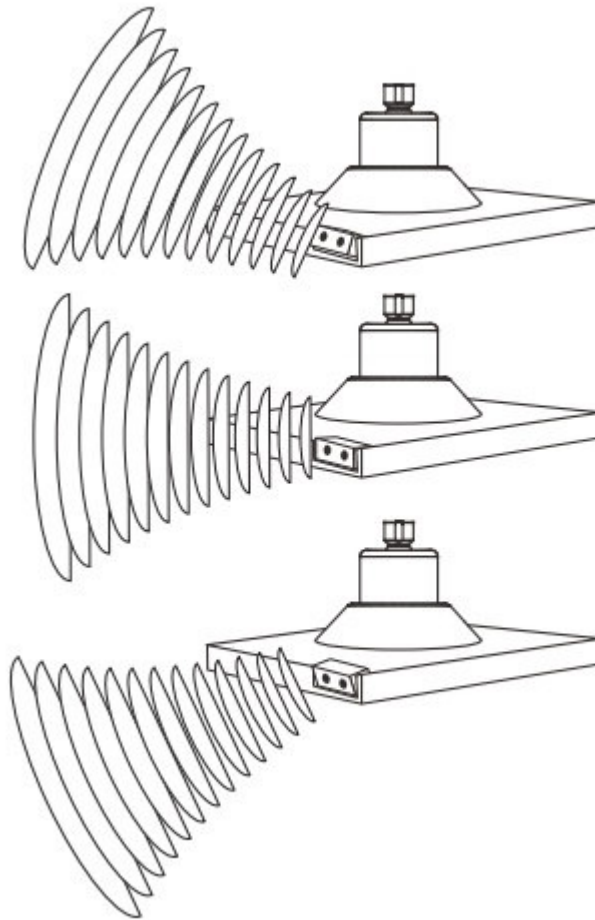


Tabella problemi e soluzioni		
Problema	Causa	Soluzione
Basso flusso acqua	- le tubazioni dell'acqua sono sovraccariche	- collegare la valvola all'alimentazione principale dell'acqua calda e fredda
	- le valvole non sono regolate correttamente	- controllare e pulire la rondella di controllo del flusso
	- c'è dello sporco nelle tubature o nella valvola	- togliere la rondella di controllo del flusso

2 Usage

Showers are particularly sensitive to impurities and limescale and, if installed outdoors, to low temperatures during the winter.

- It is recommended to purge the system before connecting the water lines to prevent dirt and impurities from getting inside the shower and creating malfunctions.
- To avoid limescale build-up, it is strongly recommended to install the limescale filters provided at the water inlet and to periodically clean the shower, nozzles and shower head.
- Before the winter period or in case of prolonged non-use, it is recommended to turn off the water supply and empty the shower completely.

It is also advisable to disassemble the shower and store it in a dry place during the winter and protect the shower with suitable covers or with the bag provided.

3 Cleanliness

- To prevent limescale stains from forming on the outside of the shower, simply wipe it with a damp cloth and soap, rinse it and dry it.
- Do not use harsh or abrasive cleaners or cleaners that contain alcohol, hydrochloric acid or phosphoric acid.
- DO NOT USE SALT OR ANTIFREEZE IN WATER TO PREVENT FREEZING. THIS WILL VOID THE PRODUCT WARRANTY.
- Use only non-aggressive products to clean the shower head . DO NOT USE DETERGENTS based on ketones, hydrocarbons, acids, esters and ethers. For disinfection, follow the recommendations for use of the product. After cleaning the shower head, always rinse with clean water.

4 Guarantee

SINED showers come with a 2-year warranty from the date of purchase for defects in materials and workmanship.

- Components that are subject to wear and tear are excluded from the warranty.
- Damage due to improper installation, misuse, and improper maintenance (e.g., use of improper cleaning products) is not covered by the warranty.
- Damage resulting from the use of non-original replacement parts is not covered by the warranty.
- Any damage resulting from interventions not carried out by specialized technicians is not covered by the warranty.
- Damage due to frost, limescale or other impurities inside the shower is not covered by the warranty.

In the event of a warranty issue, the product must be returned to the seller.

- The product must be carefully packaged and complete with all its parts and accessories;
- The reason for the return must be described in detail and proof of purchase (invoice or receipt) must be provided ;
- Return shipping costs are the responsibility of the buyer ;
- The returned product will be checked at the seller's premises and repaired or replaced at the seller's sole discretion.

Production : Starmatrix Group Inc.
Address : 253 Mengxi Road
Zhenjiang, Jiangsu, CHINE

Made in China Imported to Italy by M.P.C. srl - Via Tortona, 21 - 20126 Milan Italy Tel +39 3357600875 e-mail info@mpcshop.it website web www.sineditalia.it

The SINED trademark and the SINED logo are registered by SINED VENTAS ONLINE S.L.U. EUTM 018196373