

HOT AND COLD WATER POLYETHYLENE SHOWERS

OPERATION AND MAINTENANCE MANUAL



DOCCIA-LUNA-BIANCA – LUNA-WHITE

DOCCIA-LUNA-BIANCA-LUCE – LUNA-WHITE-LUCE

DOCCIA-LUNA-BIANCA-ORO – LUNA-WHITE-GOLD

DOCCIA-LUNA-D-BIANCA – LUNA-WHITE-HAND

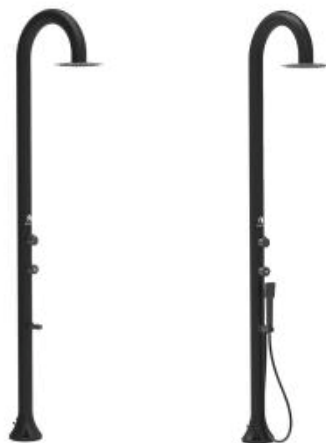
DOCCIA-LUNA-D-BIANCA-ORO – LUNA-WHITE-GOLD-HAND

DOCCIA-LUNA-NERA – LUNA-BLACK

DOCCIA-LUNA-D-NERA – LUNA-BLACK-HAND

DOCCIA-LUNA-D-NERA-ORO – LUNA-BLACK-GOLD-HAND

DOCCIA-LUNA-NERA-ORO – LUNA-BLACK-GOLD



The photo is only indicative. The real product may appear slightly different in color.
Thank you for purchasing this SINED product. We are constantly improving our products. However, in case this product may show any defect, we apologize and please contact our customer service.

USE AND MAINTENANCE MANUAL

This manual is an integral part of the product you have purchased. It contains important information for the installation and use of the product. Before using the product, read the instructions carefully, especially the safety warnings. Failure to follow the instructions and warnings can result in serious personal injury and damage to the product. The instructions provided are based on the standards and regulations valid in the European Union. For other countries follow the specific regulations. Keep the instructions for future reference and pass them on to third parties.

INTENDED USE

A shower with a separate hot and cold water supply is designed for indoor and outdoor use. Use this product only as described in the instructions. Any other use may cause damage to property or even personal injury. This product is not a toy. The manufacturer or seller accepts no responsibility for any damage resulting from improper use or use not in accordance with the stated purpose.

Safety warnings

Carefully read and follow all the warnings and instructions. Failure to comply may result in property damage, serious personal injury or even death. These warnings, instructions and product safety precautions cover many, but not all, of the possible hazards and risks. You are advised to exercise caution and to evaluate all hazardous situations correctly. Improper use of the product may also result in death.

Caution! All repairs must be carried out by qualified personnel only to avoid possible hazards. If necessary, contact a qualified technician. In the event of self-initiated repairs, improper installation or misuse, liability and warranty claims will void. Only spare parts that correspond to the original product data may be used for repairs.

WARNING! Hazards for children and persons with reduced physical, sensory or mental capabilities or lack of experience and knowledge: Children must not play with this product. Cleaning must not be carried out by children or persons with reduced physical, sensory or mental capabilities.

NOTA: Rischio di danneggiamento! Il prodotto può essere danneggiato da un uso improprio.

Content control

WARNING! Danger of damage to the product! If the packaging is opened with a sharp knife or other pointed tool without due care, the contents may be damaged. Therefore, be careful when opening the packaging:

- Take the product out of the package
- Check the contents of the package
- Check that the product and its individual components are intact and undamaged. If this is not the case, do not use the product and contact the seller immediately.

The package contains:

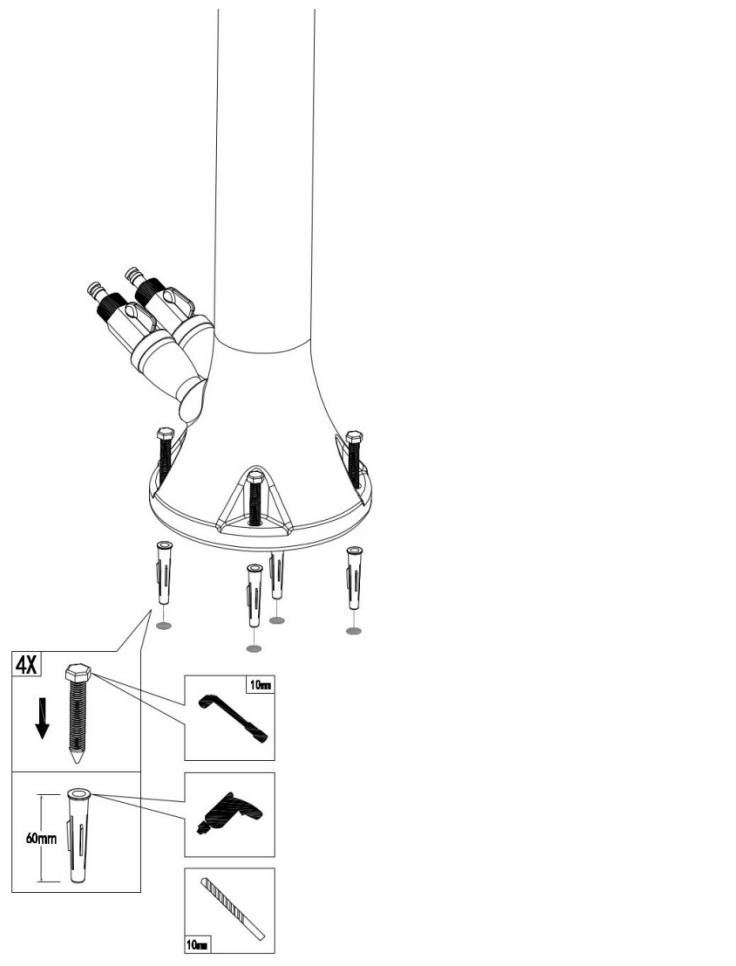
- Shower with mixer and shower head as well as additional accessories (e.g. foot-washing tap or hand shower etc.) depending on the model purchased
- Installation kit complete with screws
- 2 anti-scale filters
- 1 protective bag
- Use and maintenance manual
- 2 inlet taps

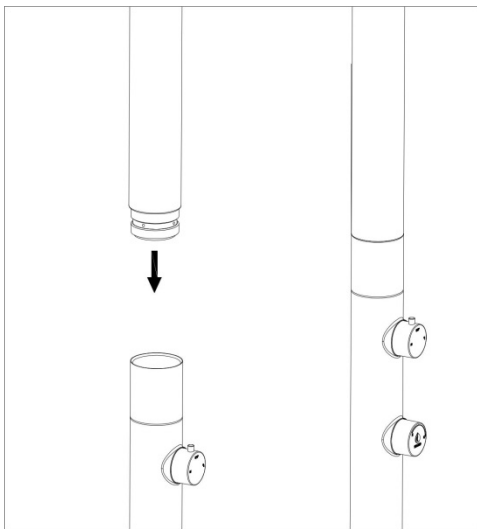
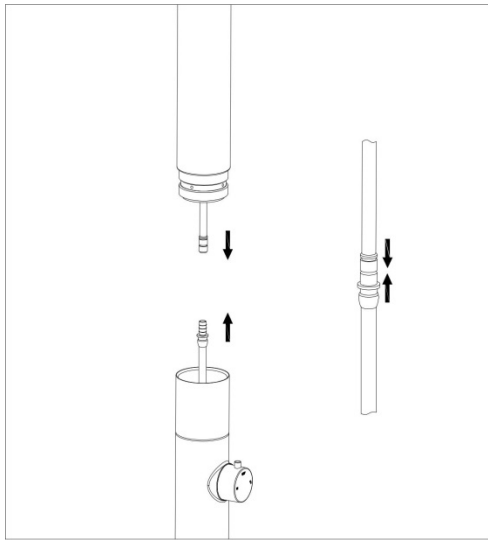
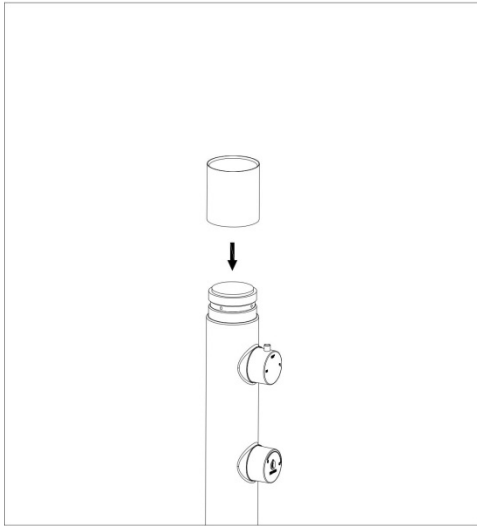
1) Installation

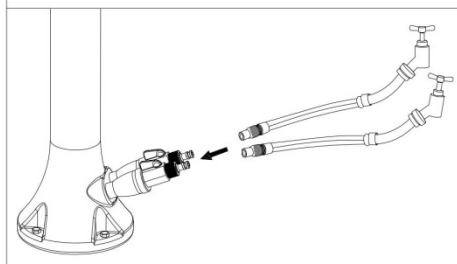
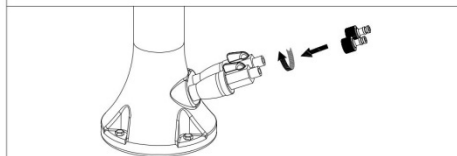
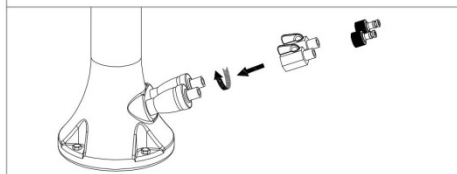
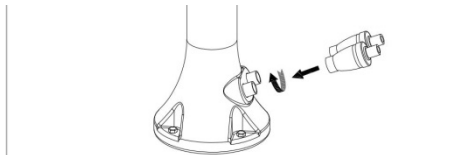
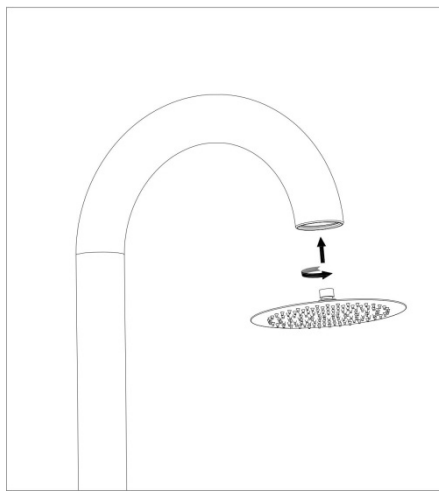
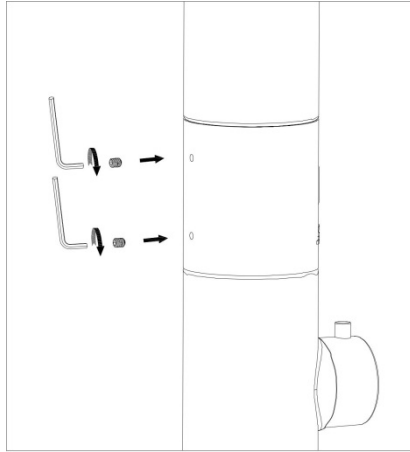
The installation must be carried out by skilled personnel on a solid support, perfectly flat and level, able to support the weight of the shower and prevent it from falling.

We recommend that you do not drill directly through the holes in the base of the shower.

Follow the diagrams below for installation and assembly:







2) Use

Showers are particularly susceptible to impurities and limescale and, if installed outdoors, to low temperatures during the winter period.

- It is recommended to flush the pipes by running the water for at least 5 minutes to remove any debris that may be in the pipes. Make sure that only clean water without debris comes out.
- To prevent scale formation, it is strongly recommended that you install the supplied scale filters at the water inlet and periodically clean the shower, nozzles and shower head.
- Before the winter period or in case of prolonged non-use, it is recommended to turn off the water supply and empty the shower completely. Also, during the winter period, it is advisable to disassemble the shower and store it in a dry place and to protect the shower with suitable covers or the bag provided.

3) Cleaning

- To prevent limescale stains from forming on the exterior of the shower, simply wipe it with a damp, soapy cloth, rinse it and dry it.
- Do not use harsh or abrasive cleaners or those containing alcohol, hydrochloric acid or phosphoric acid.
- DO NOT USE SALT OR ANTIFREEZE IN THE WATER TO PREVENT FREEZING. THIS WILL VOID THE PRODUCT WARRANTY.

4) Warranty

The provisions in force in the European Community shall apply.

SINED showers have a 2-year warranty from the date of purchase against defects in materials and workmanship.

- The warranty does not cover components subject to wear and tear, including mixers, shower heads, taps, etc..
- The warranty does not cover damage due to incorrect assembly, improper use and incorrect maintenance (e.g. use of inappropriate cleaning agents).
- Damage resulting from the use of non-original spare parts is not covered by the warranty.
- The warranty does not cover any damage resulting from work not carried out by specialized technicians.
- Damage due to frost, limescale or other impurities inside the shower is not covered by the warranty.

In the presence of problems covered by the warranty, the product must be returned to the seller.

- The product must be carefully packaged and complete with all its parts and accessories;
- Must be described in detail the reason for return and provided proof of purchase (invoice or receipt);
- Return shipping costs are the responsibility of the buyer;
- The returned product will be checked by the seller and repaired or replaced at the unquestionable discretion of the seller.

Manufacturing: Starmatrix Group Inc.
Address: 253 Mengxi Road
Zhenjiang, Jiangsu, CHINA

Made in China Importato in Italia da M.P.C. srl - Via Tortona, 21 - 20126 Milano Italia
Tel +39 02 47758004 e-mail info@mpcshop.it sito web www.sinedtechnology.com

The SINED trademark and the SINED logo are registered by SINED VENTAS ONLINE S.L.U. EUTM 018196373