

Solar heated outdoor showers

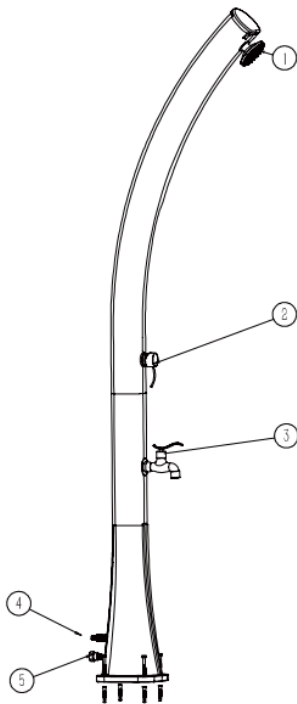
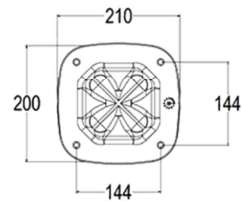
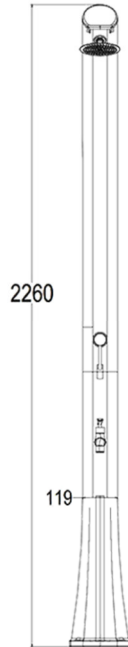
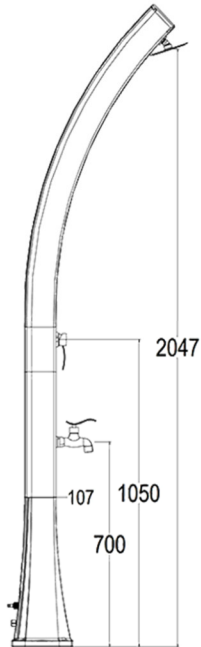
DOCCIA-SOLE-BIANCA – SOLE-WHITE – SOLE WHITE
DOCCIA-SOLE-BIANCA-LUCE – SOLE-WHITE-LIGHT – SOLE WHITE LUCE
DOCCIA-SOLE-GRIGIA – SOLE-GREY – SOLE GREY
DOCCIA-SOLE-NERA – SOLE-BLACK – SOLE BLACK
DOCCIA-SOLE-BLU – SOLE-BLU – SOLE BLUE
DOCCIA-SOLE-ROSSA – SOLE-RED – SOLE RED
DOCCIA-SOLE-VERDE – SOLE-GREEN – SOLE GREEN

Instructions for Use and Maintenance



The photo is only indicative. The real product may appear slightly different in color.

Thank you for purchasing this SINED product. We are constantly improving our products. However, in case this product may show any defect, we apologize and please contact our customer service.



Number	
01	Shower head
02	Hot Cold Mixer
03	Foot Washing Faucet
04	Water / Faucet Inlet
05	Water drain plug

USE AND MAINTENANCE MANUAL

This manual is an integral part of the product you have purchased. It contains important information for the installation and use of the product. Before using the product, read the instructions carefully, especially the safety warnings. Failure to follow the instructions and warnings can result in serious personal injury and damage to the product. The instructions provided are based on the standards and regulations valid in the European Union. For other countries follow the specific regulations. Keep the instructions for future reference and pass them on to third parties.

INTENDED USE

This Solar heated shower model is recommended for family use.

A solar shower is designed to be used exclusively outdoors. In addition, the shower is equipped with a foot wash tap at the bottom which supplies water (e.g. for watering cans). Only use the product as described in the instructions. Any other use may result in damage to property or even personal injury. This product is not a toy. The manufacturer or seller accepts no liability for any damage resulting from incorrect or improper use.

Safety warnings

Carefully read and follow all the warnings and instructions. Failure to comply may result in property damage, serious personal injury or even death. These warnings, instructions and product safety precautions cover many, but not all, of the possible hazards and risks. You are advised to exercise caution and to evaluate all hazardous situations correctly. Improper use of the product may also result in death.

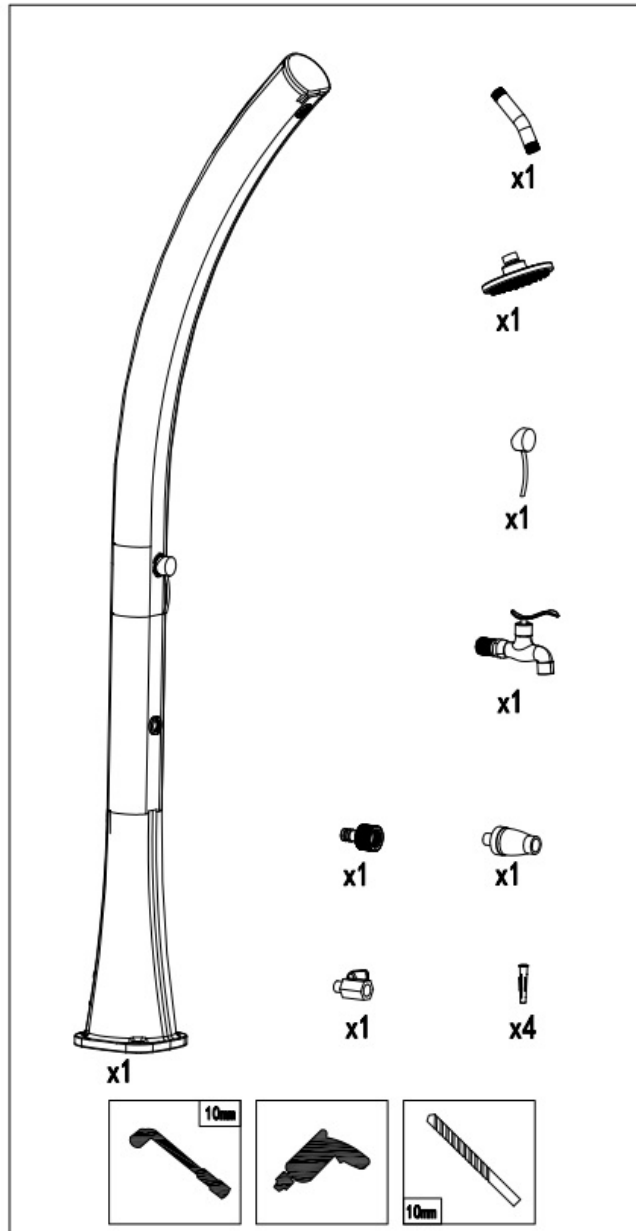
Caution! All repairs must be carried out by qualified personnel only to avoid possible hazards. If necessary, contact a qualified technician. In the event of self-initiated repairs, improper installation or misuse, liability and warranty claims will void. Only spare parts that correspond to the original product data may be used for repairs.

WARNING! Hazards for children and persons with reduced physical, sensory or mental capabilities or lack of experience and knowledge: Children must not play with this product. Cleaning must not be carried out by children or persons with reduced physical, sensory or mental capabilities.

Content control

WARNING! Danger of damage to the product! If the packaging is opened with a sharp knife or other pointed tool without due care, the contents may be damaged. Therefore, be careful when opening the packaging:

- Take the product out of the package
- Check the contents of the package
- Check that the product and its individual components are intact and undamaged. If this is not the case, do not use the product and contact the seller immediately.



Determine the installation location

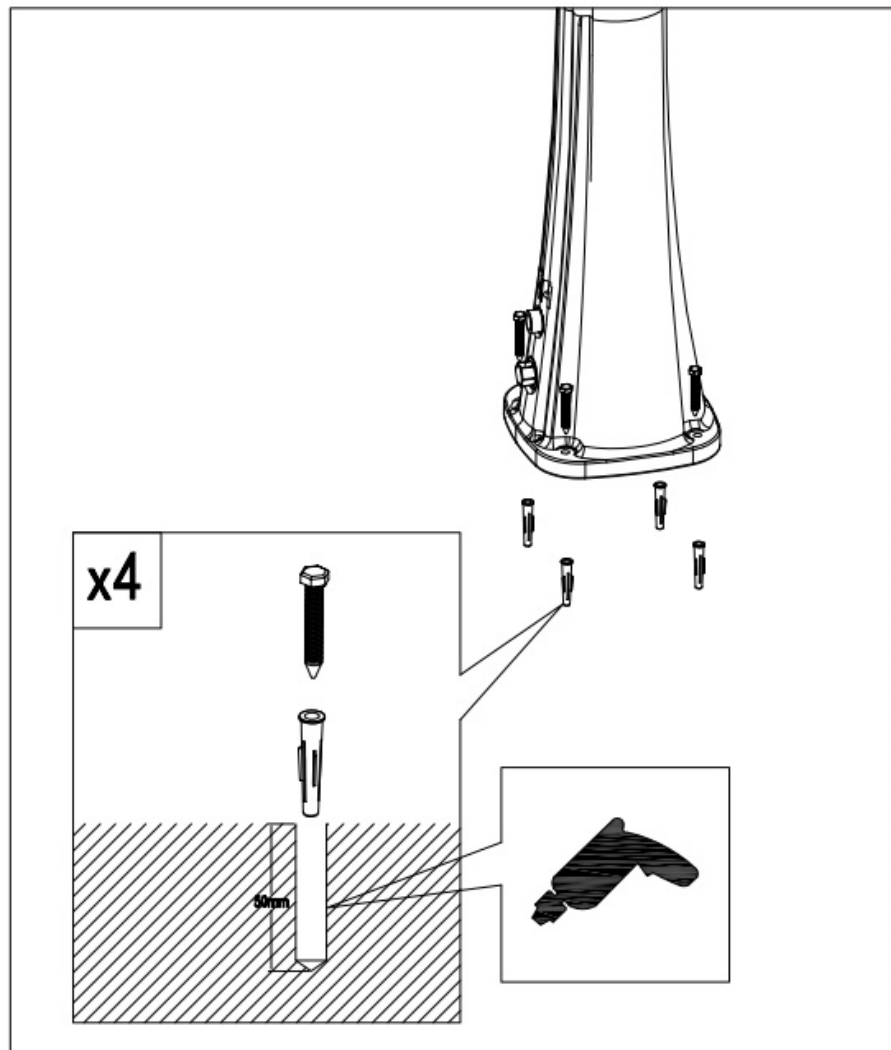
To ensure the best possible stability and your safety, the solar shower must be installed on a stable surface. Place the shower in a sunny location taking care that the back of the shower is exposed to the sun and facing south if possible. Do not lean the shower against a wall or anything else that blocks sunlight. The installation must be carried out by qualified personnel.

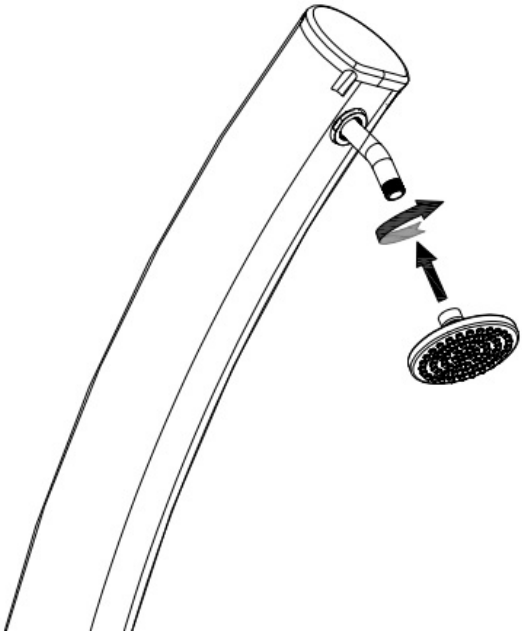
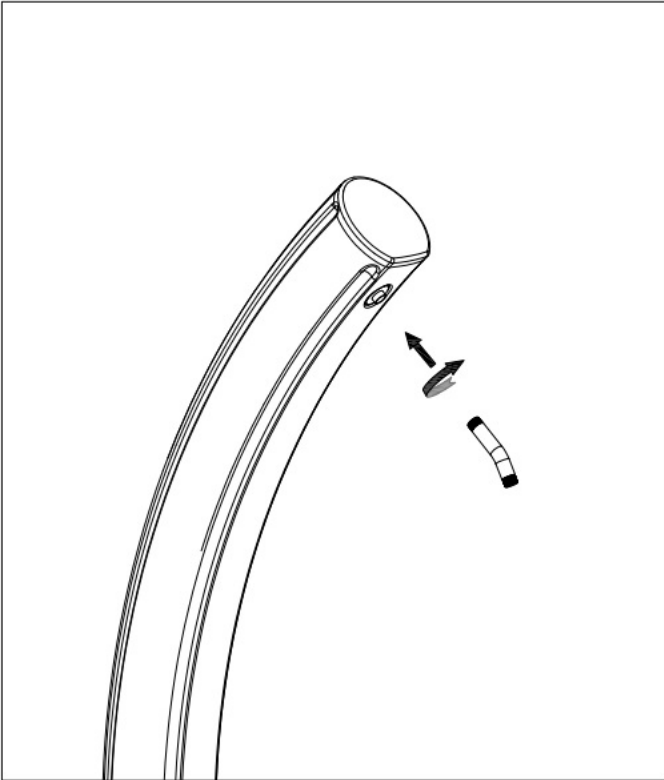
Installation

Follow the diagrams below for installation and assembly:

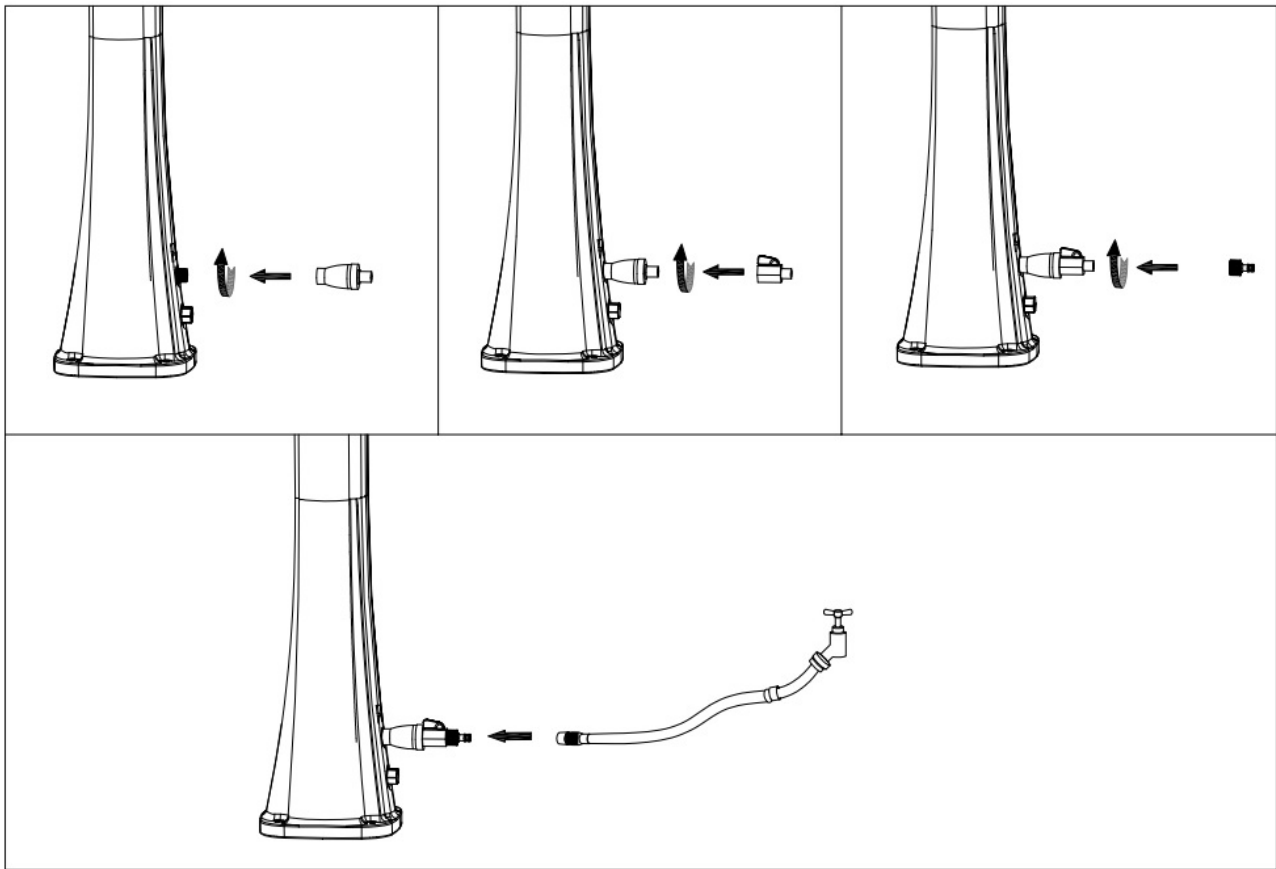
We recommend not drilling holes directly through the holes in the shower base

- 1) A drill is required for mounting. Determine the drilling points in correspondence with the holes in the mounting base and the screws and fixing plugs contained in the package. Do not drill directly through the holes in the shower base.
- 2) The drilling depth in concrete or rock should be at least 45 mm. This gives the screws a good tensile strength and the necessary tightness.
- 3) Insert the dowels into the respective holes.
- 4) Place the bottom of the shower (mounting base) over the holes and secure with screws using the appropriate tools and taking care not to damage the surface.
- 5) Damage caused by incorrect assembly is not covered by warranty.





Make sure the rubber washers are positioned correctly before installing the showerhead.



First start-up

Before connecting the water hose to the shower, purge the pipework by running the water for at least 5 minutes to remove any debris that may be in the pipes. Ensure that only clean water comes out without residue.

Connect the water hose to the supplied limescale filter Fig. 1, to the inlet faucet Fig. 2, and then to the shower Fig. 3 and Fig. 4. Make sure the inlet faucet is open. Set the lever on the shower mixer to "hot" and let the water flow into the shower: this will prevent air bubbles from forming in the tank.

Filling the tank takes approx. 4-6 minutes. When the water flows evenly and smoothly out of the showerhead, close the mixer with the lever in the middle - the tank is now completely full.

The maximum working pressure of the shower is 3 bar. Make sure the hose is properly secured.

Use

Caution: Solar radiation causes the water in the solar tank to become very hot. Therefore, we recommend that you always set the cold/hot mixer to the middle position (between hot and cold) before opening the faucet and running the water.

Then adjust the desired temperature by turning the mixer lever to the right (hot water) or left (cold water).

- 1) Turn the faucet to the "HOT" position to enjoy a hot shower with water heated by the sun. Please note: the water supply and inlet faucet must be open for the shower to operate!
- 2) When you have finished using it, turn off the shower water supply.

If you are not going to use the shower for 24 hours or more, let the water run for at least 2 minutes before using the shower so that the water in the solar reservoir can be completely replaced. In hot environments, standing water may cause pathogenic bacteria to multiply.

ATTENTION! The water once contained in the tank is no longer considered drinking water!

If you do not plan to use the shower for several days, we recommend closing the inlet tap and emptying the shower by turning the mixer lever to the HOT position and opening the cap at the bottom. Before covering the shower with the special protection bag, make sure that the surface of the shower is perfectly dry.

Important information

Water leaking from the shower head after turning off the shower faucet is not a defect but a technical requirement!

A solar shower is not a closed system. If there is a demand for hot water, cold water enters the tank from below through the valve pushing out the hot water already in the top of the tank.

The entire shower body is filled with water and serves as solar heating.

The pressure that builds up as a result of heating can leak out of the shower head.

Dismount at the end of the season

During the winter period, the shower must be COMPLETELY drained of its water content. Also during the winter the shower must be disassembled and stored in a dry place.

Failure to observe this warning may result in frost damage to the product.

Frost damage is not covered by warranty.

- 1) Close the shower and remove the garden hose.
- 2) To drain the shower, turn the mixer back to the "ON" position (approx. 2 minutes) and open the drain plug.
- 3) Remove the fixing screws on the base and drain the remaining water from the bottom of the shower by tilting the shower (this is absolutely necessary!).

Cleaning

Use commercially available cleaning agents for cleaning. Do not use cleaning agents containing solvents, abrasive cleaners or hard sponges, brushes, etc.

Warranty

The provisions in force in the European Community shall apply.

SINED showers have a 2-year warranty from the date of purchase against defects in materials and workmanship.

- The warranty does not cover components subject to wear and tear, including mixers, shower heads, taps, etc..
- The warranty does not cover damage due to incorrect assembly, improper use and incorrect maintenance (e.g. use of inappropriate cleaning agents).
- Damage resulting from the use of non-original spare parts is not covered by the warranty.
- The warranty does not cover any damage resulting from work not carried out by specialized technicians.
- Damage due to frost, limescale or other impurities inside the shower is not covered by the warranty.

In the presence of problems covered by the warranty, the product must be returned to the seller.

- The product must be carefully packaged and complete with all its parts and accessories;
- Must be described in detail the reason for return and provided proof of purchase (invoice or receipt);
- Return shipping costs are the responsibility of the buyer;
- The returned product will be checked by the seller and repaired or replaced at the unquestionable discretion of the seller.

Production: Starmatrix Group Inc.

Address: 253 Mengxi Road

Zhenjiang, Jiangsu, CHINA

Made in China Imported in Italy by M.P.C. srl Via Tortona 21 Milano 20144 Italy

Tel +39 02 21117815 e-mail info@mpcshop.it website www.sinedtechnology.com

The SINED trademark and the SINED logo are registered by SINED VENTAS ONLINE S.L.U. EUTM 018196373