

Suggested use



Sensor rain shower

Three color LED Changes color according to water temperature:

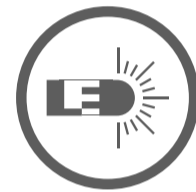
<27°C blue;
27°C - 41°C green;
>41°C red.



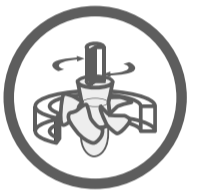
Infrared Sensing



Adjustable Sensor



3 Color LED



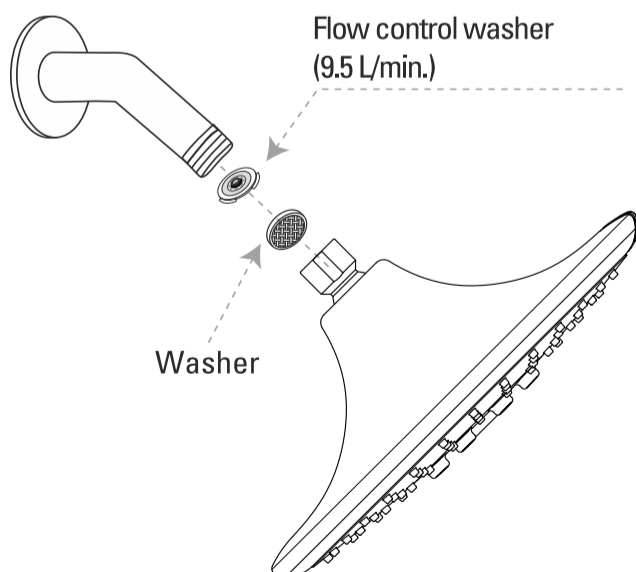
Water Powered

Remove existing shower head

Be careful not to unscrew the shower arm; hold it in place.

Install your new shower head

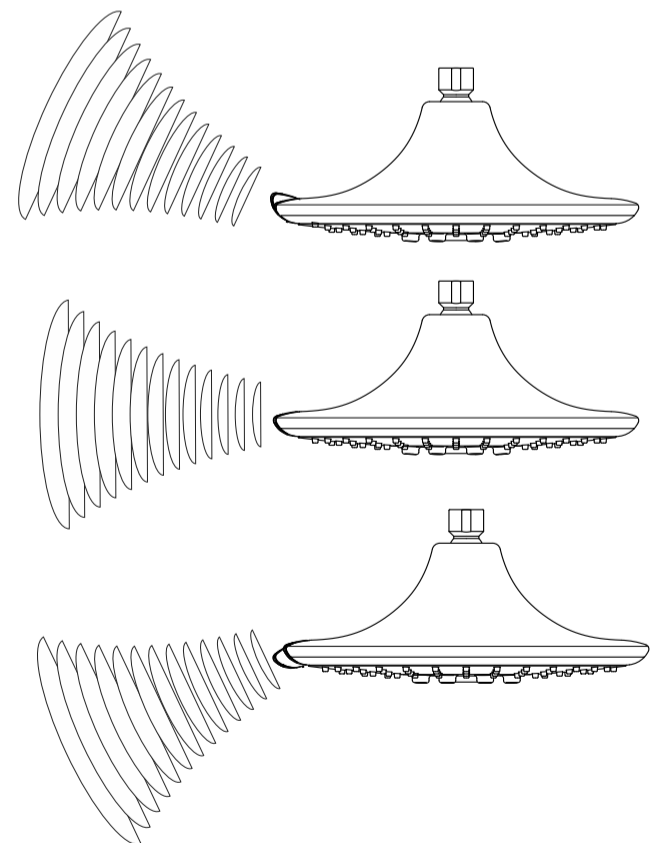
Check shower head to ensure washer is in place. Carefully align the threads. **Hand-tighten** firmly. Do not overtighten. **Do not use a wrench or pliers.**



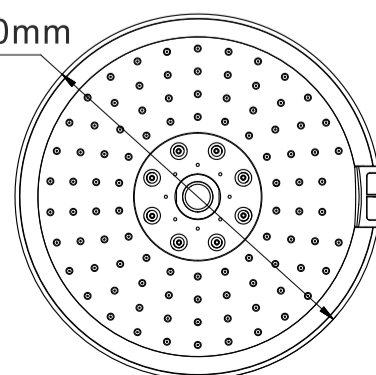
You can remove the flow control washer if you want more pressure.

Regularly clean the stainless steel filter mesh in the washer in case it is clogged.

Tilt the infrared sensor up and down to adjust its range



240mm



115mm

