

Infrared heater

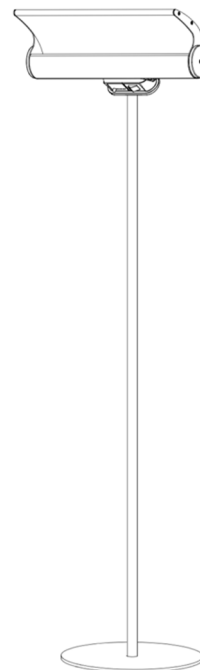
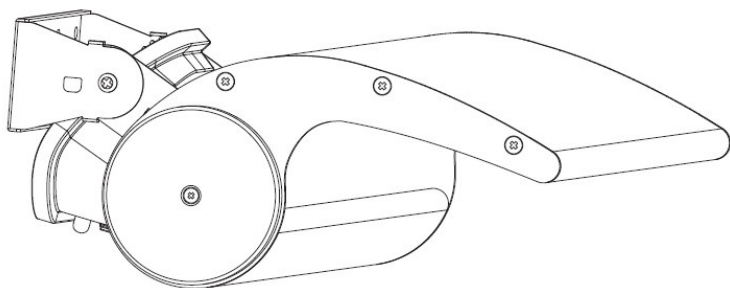


STUFA-INFRAROSSI-PARETE-2000

CH20A11CWR1

STUFA-INFRAROSSI-TERRA-2000

CH20A11CSR1



The photo is only indicative, the real device may appear slightly different in color.

Specification

| | | |
|------------------|---|--|
| Model n. | STUFA-INFRAROSSI-PARETE-2000 CH20A11CWR1 | STUFA-INFRAROSSI-TERRA-2000 CH20A11CSR1 |
| Installation | Wall mounted | Standing |
| Voltage | 230-240V~, 50Hz | 230-240V~, 50Hz |
| Power(W) | 2000 | 2000 |
| Installation | Wall | Standing |
| Product size(mm) | 596*135*320 | Heater size: 596*135*320mm Base in dia. 500mm Height of assembled set:2100mm |
| Insulation | Class I | Class I |
| Water proof | IP65 | IP65 |

IMPORTANT INFORMATION

Please read the operation manual carefully before installing and using the infrared heater.

This user manual contains important information about your safety, as well as some recommendations on the correct use of the device and its maintenance.

Keep the operating manual together with the warranty certificate, the sales receipt and, if possible, the cardboard packaging and packing material.

The infrared heater you have purchased may be somehow different from the one described in the manual, but this does not affect how it is used and how it works.

Important precautions and instructions provided in this owner's guide do not include all possible ways and situations you may encounter. You must understand that common sense, prudence and care are factors that cannot be "built into" any product.

1. SAFETY INSTRUCTIONS

- **Read the instructions before installation and use.** Certain precautions must be observed when using the infrared heater. Improper operation without observing the precautions may cause damage to the health of the user and other persons as well as damage to their property.
- Use only the voltage indicated on the heater nameplate.
- Connect the unit only to a properly installed power outlet with ground contact.
- The heater must be connected to the power supply with a 2-pole circuit breaker.
- It is strongly recommended to use a 30mA differential switch.
- The unit must be handled with care and avoid vibration or shock.
- Do not use the unit in areas where gasoline, paint or other flammable liquids are used or stored.
- Do not place any clothing, towels or the like on top of the heater to dry. Risk of overheating and fire
- Do not use the apparatus in areas where there is a particular risk of explosion.
- Caution: To avoid burns, do not touch the surface of the unit with your hands or other body parts.
- Do not leave the heater unattended during use.
- Do not use this heater on a wet surface, or where it may fall or be pushed into water.
- Do not touch a device that has fallen into water. Turn off the power and unplug immediately.
- If the power cord is damaged, it must be replaced by the manufacturer, its service agent or similarly qualified persons to avoid a hazard.
- If the heater is defective, it must be checked and repaired by the manufacturer, its service agent or similarly

qualified persons to avoid danger.

- Do not use the device with wet hands.
- Use this unit only as described in this manual. Any other use is not recommended by the manufacturer and may cause fire, electric shock, or injury.
- Do not use abrasive cleaning products on this device. Clean with a damp (not wet) cloth rinsed only with warm water and soap. Always remove the power plug from the mains before cleaning.
- The heater must be installed separately or on the ceiling at least 2.2 m from the floor and respect at least the distance of 1 m from people.
- The heater must not be immediately under an electrical outlet. The power outlet must not be located on the back of the heater. They should be located outside the physical footprint of the units to minimize heat buildup behind the heater.
- The installation must be equipped with a disconnection mechanism on all poles with a contact distance of at least 3 mm. The all-pole disconnection mechanism must be installed at a height of less than 1.8 m above the floor.
- The heater must be installed by a professional installer in accordance with current electrical installation standards (CEI-64-8).
- The heater must be installed so that switches and other controls cannot be touched by a person in the bathtub or shower.
- Do not connect the unit to the power source until it has been installed in its final position and adjusted to the position where it will be used.
- Do not work with the cable wound in a spiral as this could cause heat build-up, which could be dangerous.
- We do not recommend the use of an extension cord with this device.
- Do not allow the cable to come into contact with heated surfaces during operation.
- Do not run the cable under carpets, rugs, runners, etc.. Place the cord away from areas where it may trip.
- Children under 3 years of age should be kept away, unless they are continuously supervised.
- Children between 3 and 8 years of age should turn the appliance on or off only if it has been placed or installed in the intended normal operating position and has been supervised or instructed to operate the appliance safely and understand the hazards. Children 3 years and under must not connect, adjust and clean the appliance or perform user maintenance.
- This appliance may be used by children 8 years of age and older and by persons with reduced physical, sensory or mental capabilities or lack of experience and knowledge, if they have received supervision or instructions on how to use the appliance safely and understand the dangers. Children should not play with the appliance. Cleaning and maintenance of the appliance must not be carried out by children without supervision.
- The device is intended exclusively for the purpose described in the operating instructions.
- Do not use the device or any part of it outside of its intended use to avoid risks.
- The use of accessories not recommended or not sold by the manufacturer of the equipment may cause a risk of injury to persons.
- CAUTION - some parts of this product may become very hot and cause burns. Special attention should be paid to children and vulnerable people.
- CAUTION: This heater is not equipped with a room temperature control device. Do not use this heater in small rooms when occupied by people who are unable to leave the room alone, unless constant supervision is provided.
- If the customer wishes to have a hard copy of the GI, please contact our customer service department

2 INSTALLATION

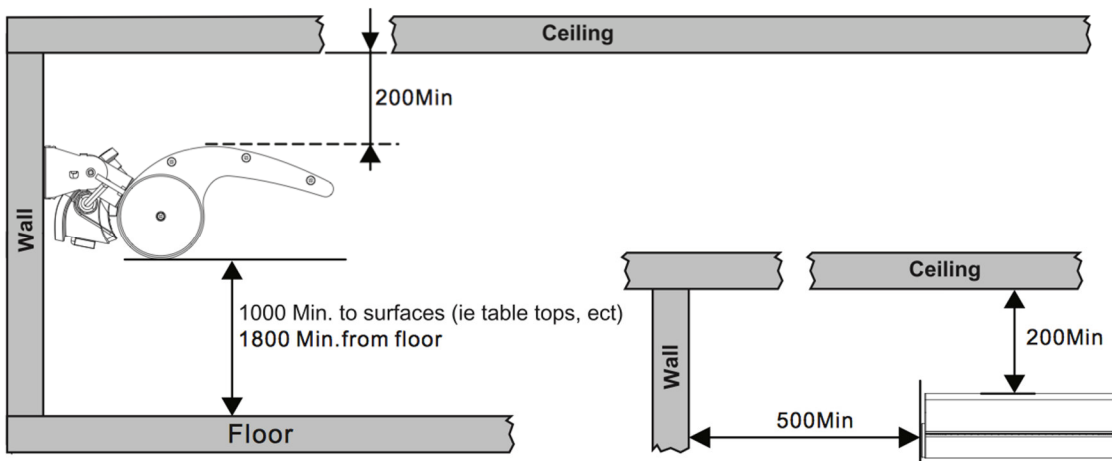
The STUFA-INFRAROSSO-PARETE-2000 heater is specifically designed for installation and use in outdoor environments such as verandas, terraces, patios, courtyards, porches, gazebos and other outdoor areas.




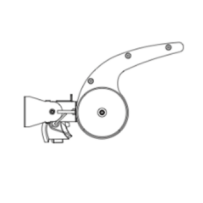
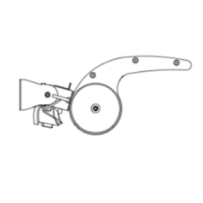
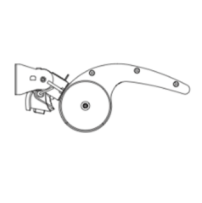
2.1 Safety distances required for installation

Wall mounted STUFA-INFRAROSSO-PARETE-2000 (CH20A11CWR1)

- Caution: The unit should only be operated in a horizontal position with a maximum slope of $\pm 5^\circ$.
- Never install the unit on a flammable surface (plastic, nylon, cardboard, etc.).
- Install the device at a minimum distance of
 - **2.2 m above ground**
 - **0.5 m from the walls**
 - **0.2 m from ceiling**
 - 1.5 m from flammable like curtains
 - 1 m from people or animals

Unit: (mm)

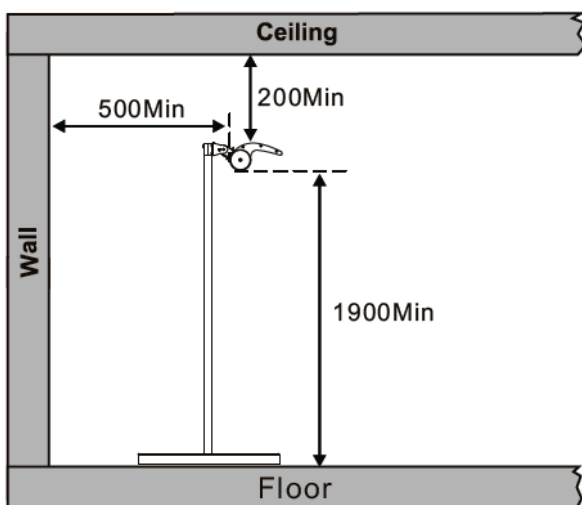


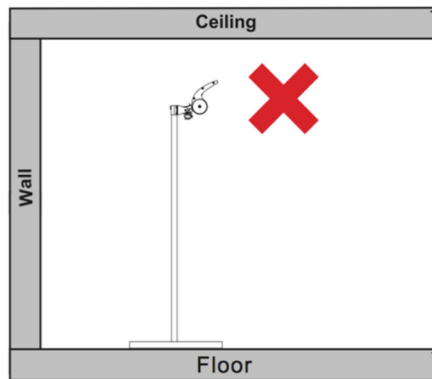
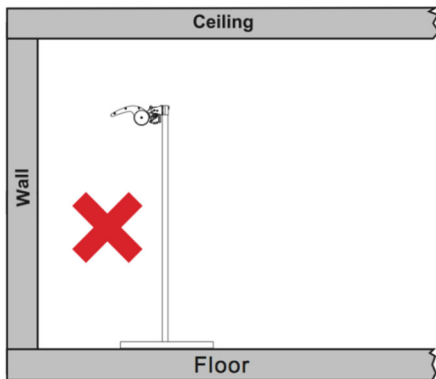
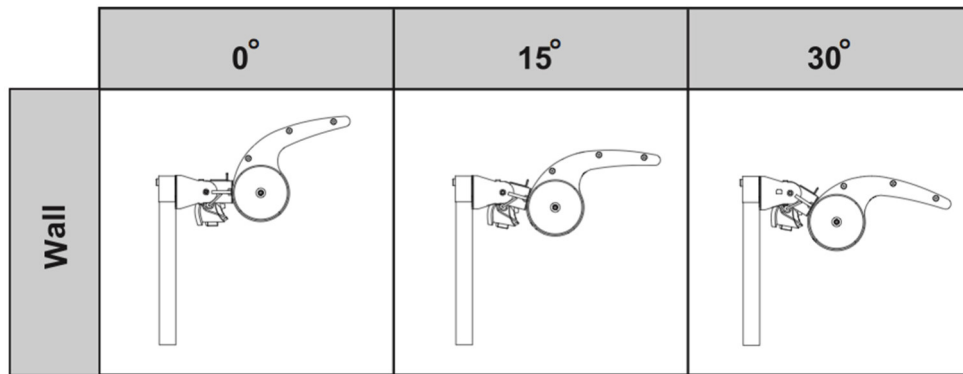
| | 0° | 15° | 30° |
|---------|---|---|---|
| Ceiling |  |  |  |
| Wall |  |  |  |

Operation mode with pedestal

STUFA-INFRAROSSO-TERRA-2000 (CH20A11CSR1)

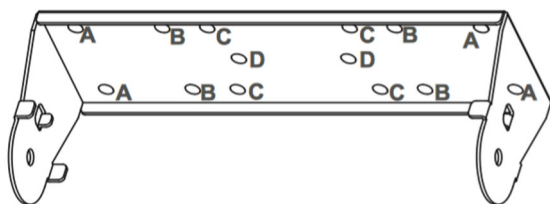
- Use the heater only on a flat, stable surface.
- Do not use the heater near curtains and other combustible materials.
- Do not heat the wall directly. The minimum distance between the wall and the heater must be more than 0.5 m;
- **1.8 m above ground**
- **0.5 m from the walls**
- **0.2 m from ceiling**
- 1.5 m from fuels like tents
- 1 m from people or animals
- **AVOID USE IN THE BATHROOM**





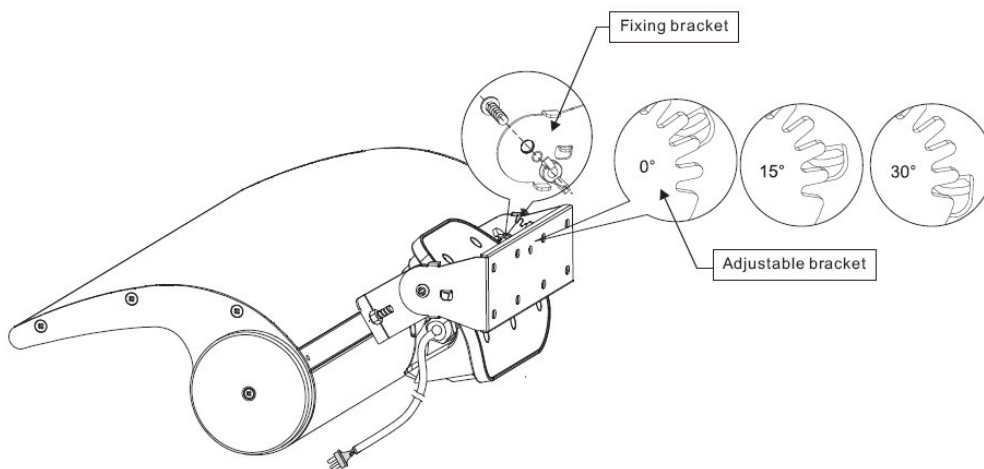
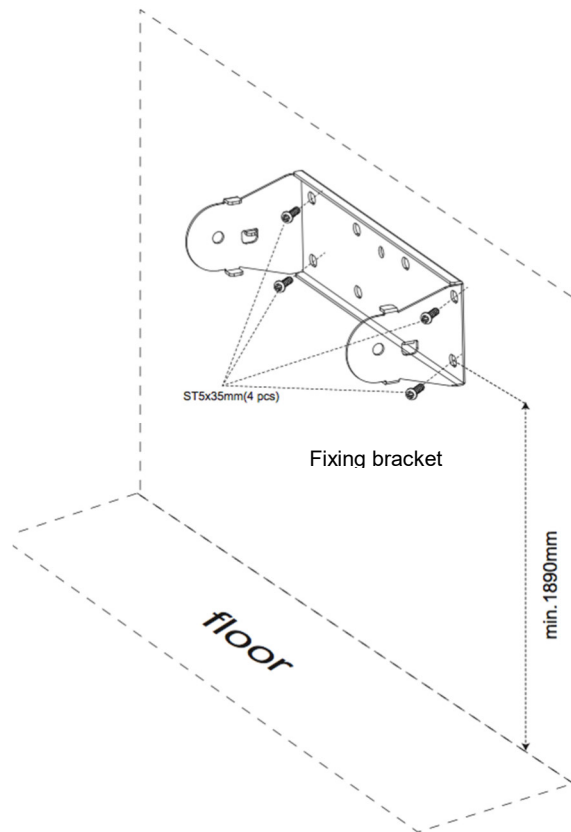
2.2 Installation for wall model: CH20A11CWR1

This heater is equipped with an adjustable angle stainless steel mounting bracket.



- A: Holes for wall-mounted installation
- B: Holes for twin heaters tower kit installation
- C: Holes for single heater tower kit installation
- D: Holes for single or twin heaters ceiling installation

- 2.2.1 Install wall mounting bracket with 4 screws ST5 x 35mm (not supplied) and 4 plastic plugs (not supplied)
- 2.2.2 Insert the groove of the adjustable bracket, on the stop of the fixing bracket;
- 2.2.3 Lock the fixing bracket and the adjustable bracket with 2 pieces M6x16 Philips Bolt and wing nut;

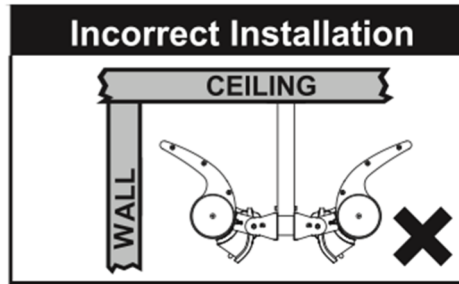
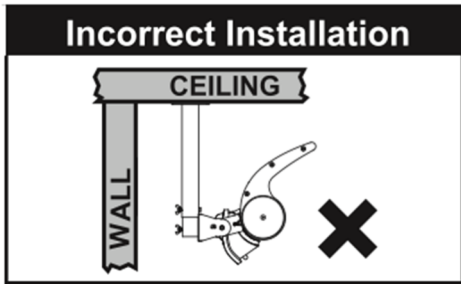
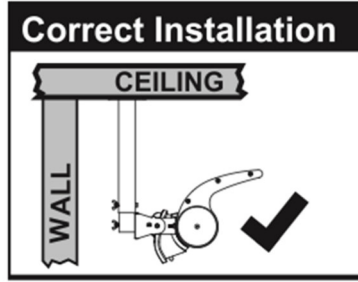
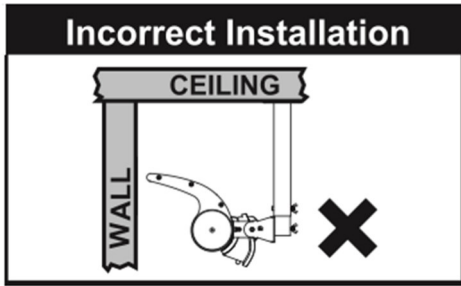


2.2.4. Attach the bracket to the ceiling or wall using dowels or fasteners suitable for your application (not included).

NOTE: Depending on the material and design of the ceiling or wall structural elements, the heater must be fixed with the correct fasteners. The weight of each heater is 4.1 kg. The installation structure and hardware must be able to support 5 times the weight of each heater.

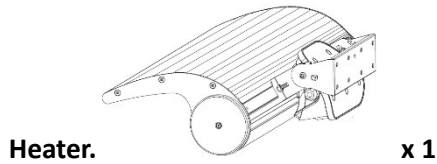
It is the installer's responsibility to choose the correct wall or ceiling mounting.

Installation for ceiling or wall suspension



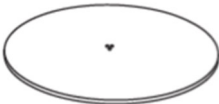





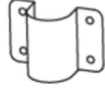
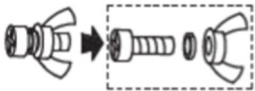
2.3 Pedestal Installation (CH20A11CSR1)

The CH20A11CSR1 contains the following components:

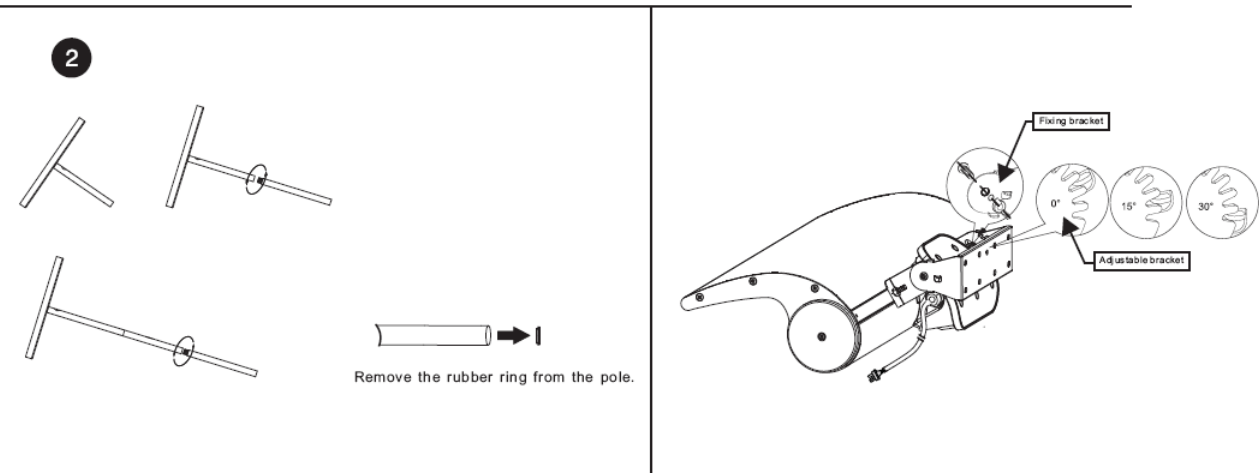
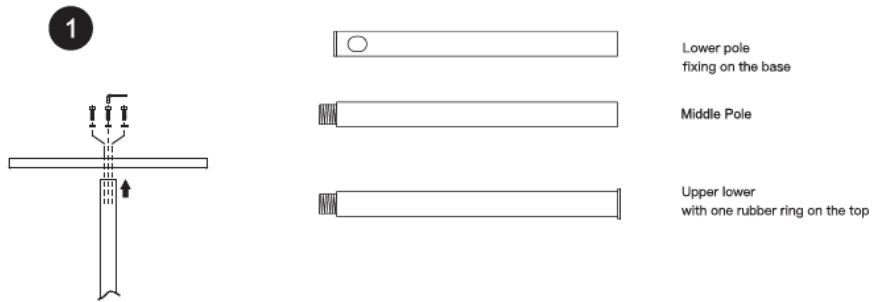


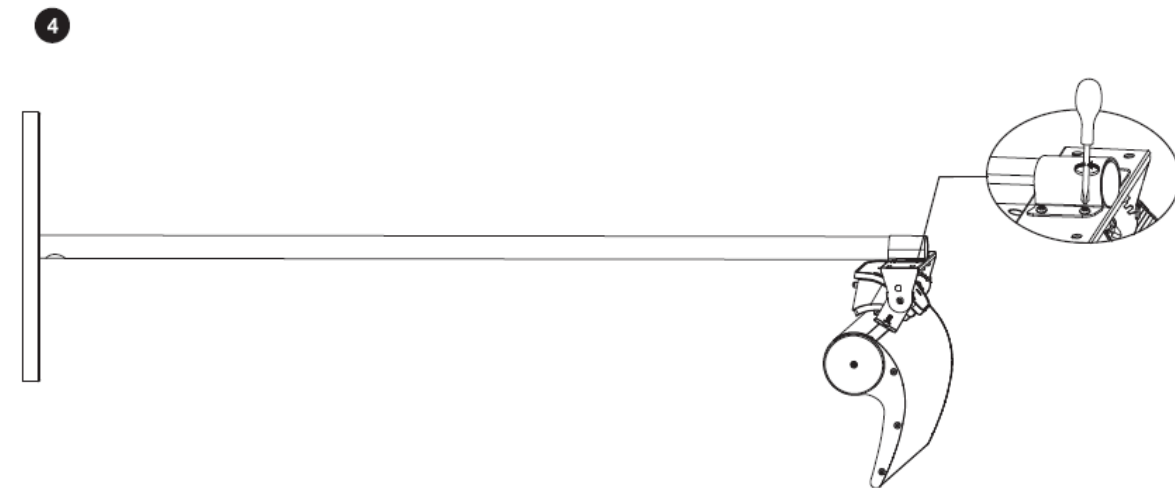
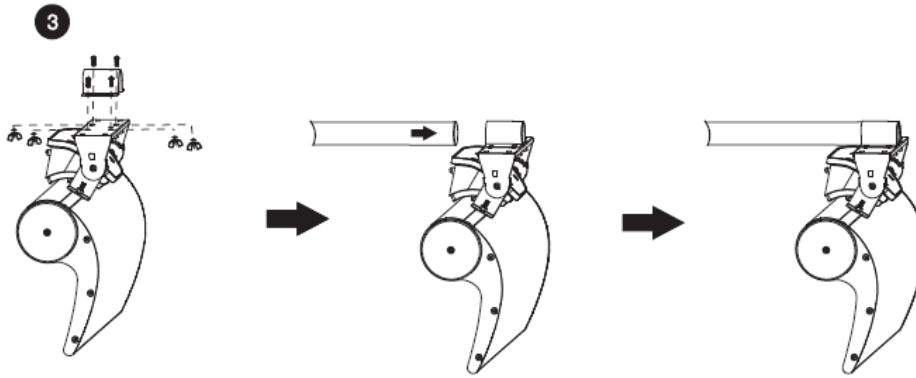
Set of bases and poles

| Series | Photo part | Part Name | Quantity |
|--------|---|----------------------------|----------|
| A |  | Hexagonal wrench | 1 |
| B |  | Hexagon head screw M6 x 40 | 3 |
| C |  | Base | 1 |
| D |  | Bottom pole | 1 |

| | | | |
|---|---|---|---|
| E |  | Central pole | 1 |
| F |  | Top pole | 1 |
| G |  | Bracket | 1 |
| H |  | Secure the Hardwire: M6 x 16 Philips bolt + spring washer + wing nut | 4 |

Stand Installation

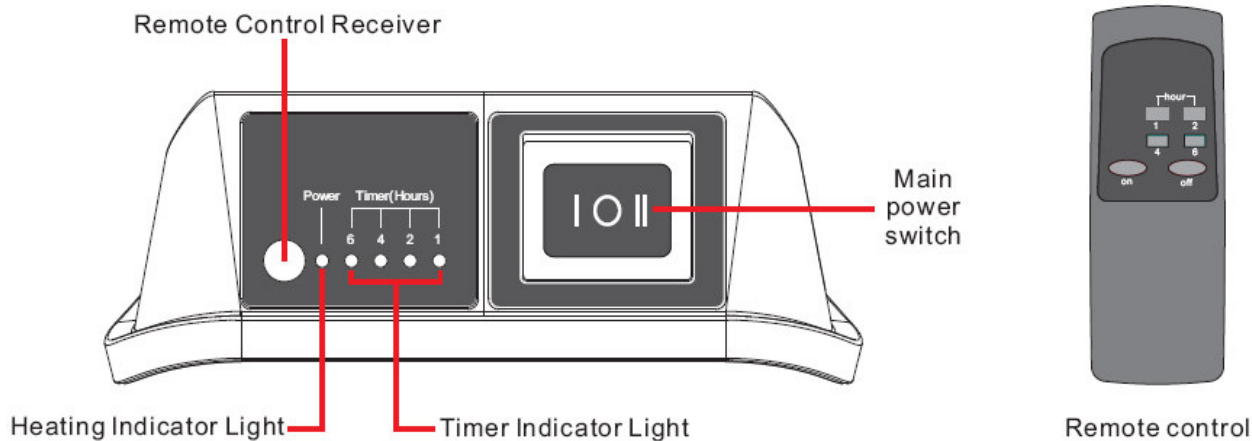




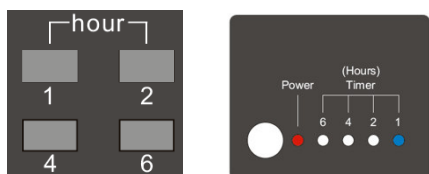
3. HOW TO OPERATE

STUFA-INFRAROSSI-PARETE-2000 STUFA-INFRAROSSI-TERRA-2000 CH20A11CWR1 CH20A11CSR1

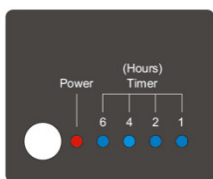
- ✓ The distance between the heater and the remote control should be less than **3 meters** and the remote control should be pointed directly at the receiver.



- Insert 2 AAA batteries into the remote control (not included).
- Connect the heater to a 230-240V~ 50Hz power outlet. Set the rocker switch to position II: the heater will start operating. **Warning: The remote control cannot operate the heater at this stage.**
- Connect the heater to a 230-240V~ 50Hz power outlet. Set rocker switch to position O: heater is off.
- Connect the heater to a 230-240V~ 50Hz power outlet. Set the rocker switch to position I, the heater will start in Standby mode, the heater light will continue to flash.
- Point the remote control at the receiver. Press the "on" button, the unit heats up. Press "off", the heater is set to standby mode.
- Point the remote at the receiver and press the "1" button, the 1 hour delay timer will activate. With 1 hour delay, the heater stops heating and goes into standby mode.



- Consequently, the heater can be set with a timer of 2 hours, 4 hours, 6 hours, maximum 13 hours delay.



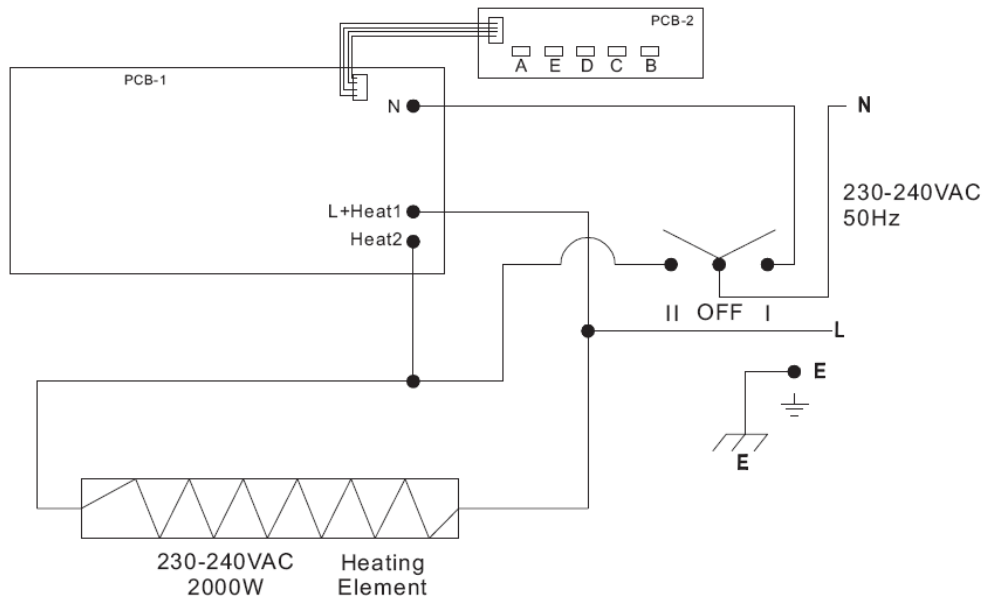
4. CLEANING:

- Disconnect the unit from the power supply;
- After the unit has cooled down, the housing shell can be dried;
- Do not touch the bulb element with your fingers as this contact may cause stains.
- The reflector should be cleaned regularly by professionals.
- Do not use abrasive or caustic cleaners!
- Never immerse the device in water! Danger of death!

5. MAINTENANCE

Any maintenance or repair, including replacement of the bulb element, should only be performed by a qualified electrician.

WIRING DIAGRAM



Proper disposal of this product



This mark indicates that this product should not be disposed of with other household waste throughout the EU. To avoid possible harm to the environment or human health from uncontrolled waste disposal, recycle waste responsibly to promote the sustainable reuse of material resources. To return your used device, use the return and collection systems or contact the dealer where you purchased the product. They may take this product for environmentally safe recycling.

Batteries must be disposed of in accordance with current regulations.

Production: FOSHAN CITY SHUNDE DISTRICT WARMTEK ELECTRICAL CO., LTD.

Address: N. 302 NINETEEN BUILDING, PHASE 3, RONGLI TIANFULAI INDUSTRIAL PARK,
RONGGUI,SHUNDE,FOSHAN,GUANGDONG,CHINA

Made in China Imported in Italy by M.P.C. srl Via Tortona 21 20144 Milano Italia Tel +39 02 21117815 e-mail info@mpcnet.it website www.sinedtechnology.com

SINED trademark and SINED logo are registered by Sined Ventas Online S.L.U. EUTM 018196373